

4

3

2

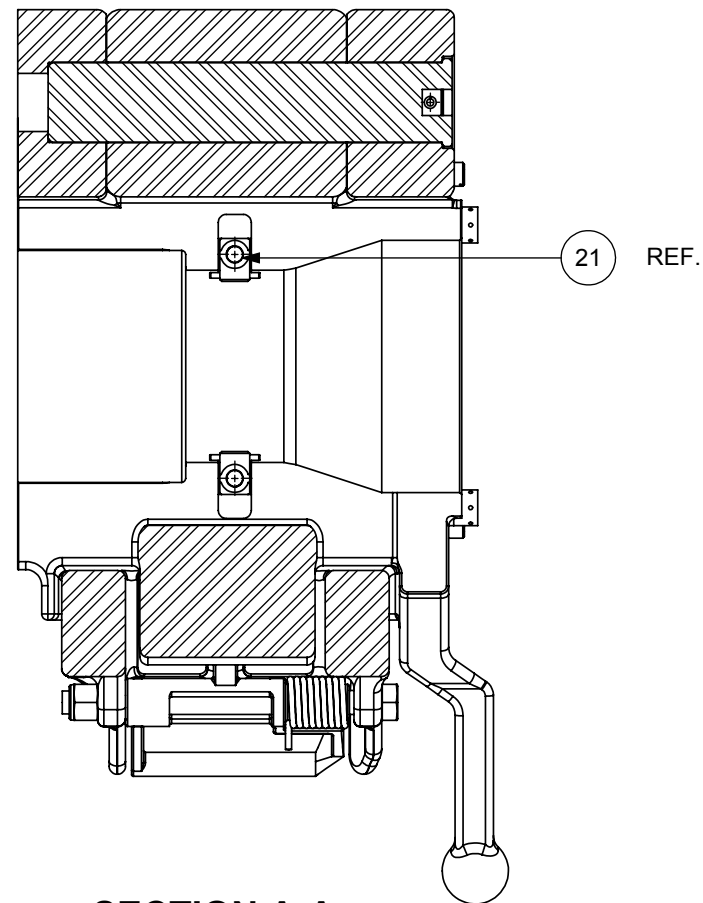
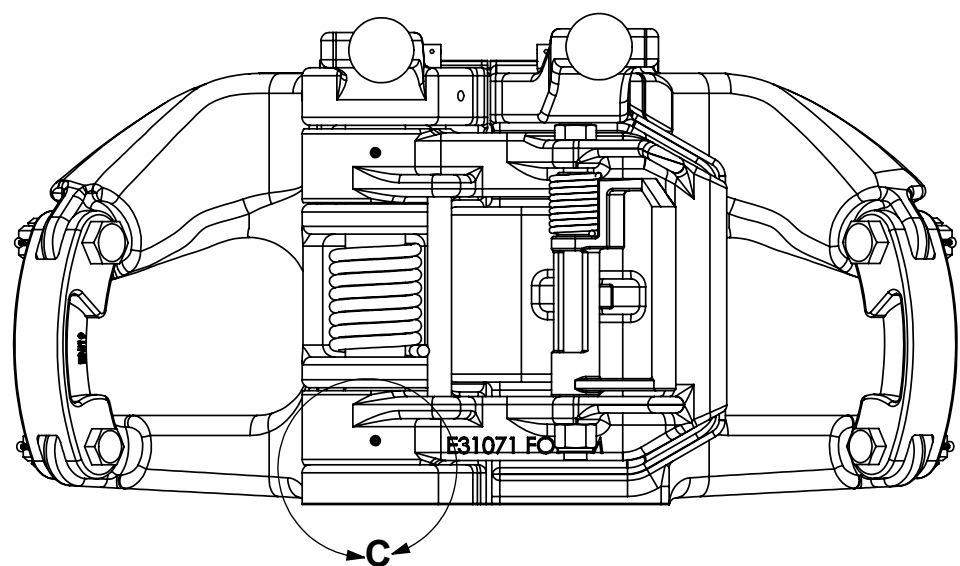
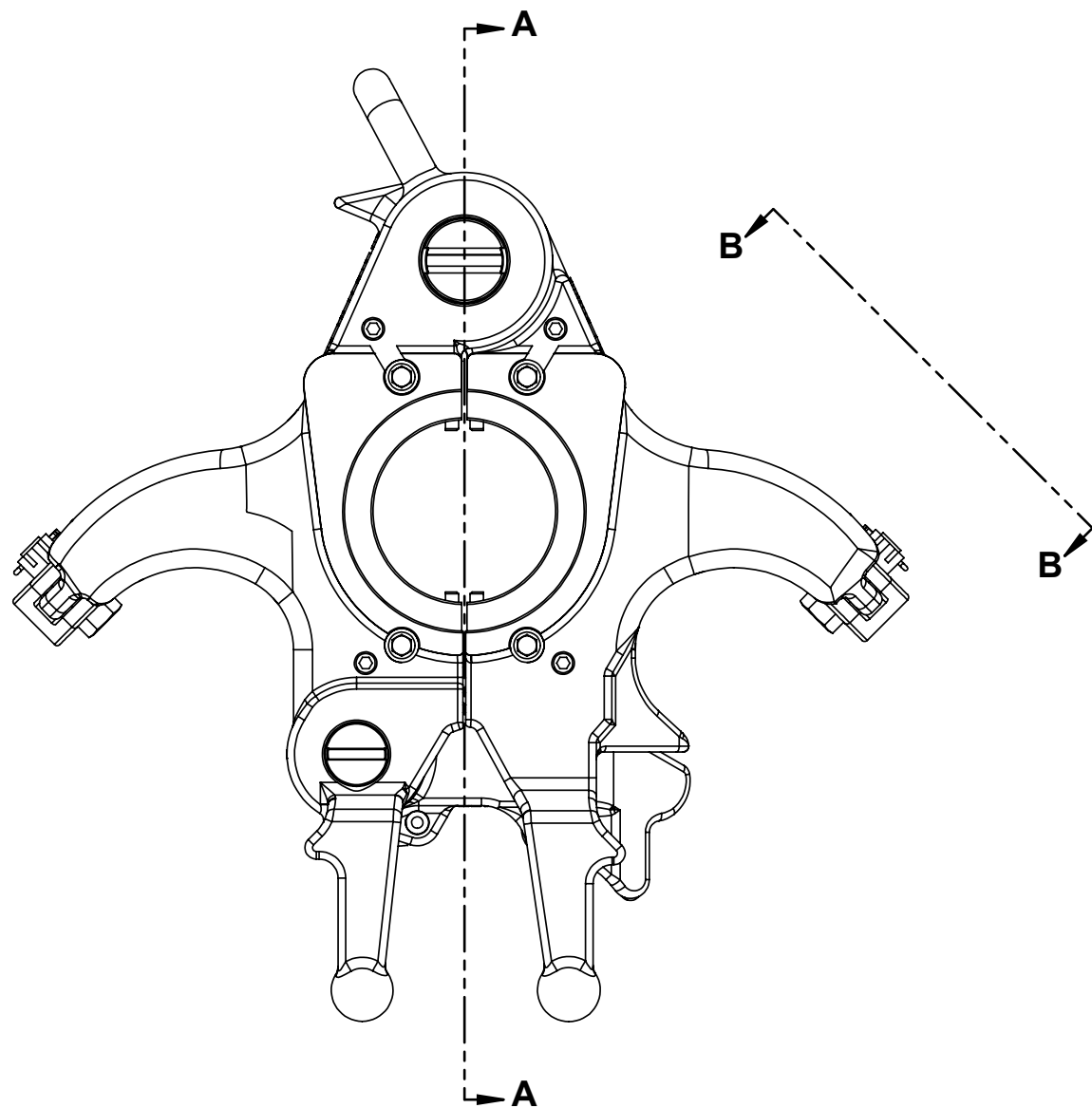
1

ITEM NO.	PART NUMBER	DESCRIPTION	QTY.
1	E31069-1-IB	BODY	1
2	E31070-IB	DOOR	1
3	E31071	LATCH	1
4	E9519	LINK BLOCK	2
5	E33998	HINGE PIN	1
6	E33999	LATCH PIN	1
7	E13152	LATCH LOCK	1
8	E18416	LATCH SPRING	1
9	E13188	LATCH LOCK SPRING	1
10	E8145-2	LINK BLOCK RETAINER BOLT	2
11	E8151	LINK BLOCK RETAINER BOLT	2
12	53226-03-06-A-08-01A	GREASE ZERK, STRAIGHT, DRIVE TYPE	2
13	51605-36-C	PIN, ROLL	1
14	51606-48-C	PIN, ROLL	1
15	53226-04-01-A-13-01A	GREASE ZERK, NPT, STRAIGHT	1
16	50512-C	NUT, HEX-SLOTTED (UNC-2B)	2
17	50514-C	NUT, HEX-SLOTTED (UNC-2B)	2
18	51435-12	COTTER PIN	4
19	50012-80-C8	SCREW, CAP-HEX HEAD (UNC 2A)3/4-10 X10 , GR8	1
20	51850-12-Z-5	NUT, HEX-SELF LOCK-NYLON UNC	1
21	1027320	LOCK BLOCK	4
22	E35001	INSERT BUSHING RETAINER BOLT	4
23	E35001-S	BUSHING SPACER	4
24	50108-006-03F	SOCKET HEAD CAP SCREW- UNC	4
25	E35002-T	LOCK BLOCK REMOVAL TOOL	1

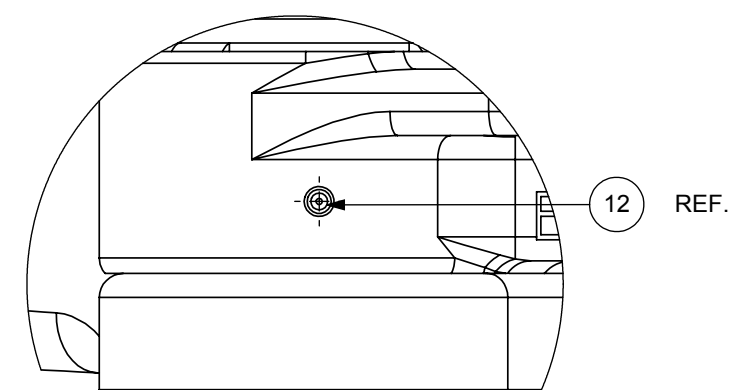
NOTES:

- SEE FORUM DOCUMENT FTS 1001 FOR TORQUE SPECIFICATIONS UNLESS OTHERWISE NOTED
- SEE FORUM DOCUMENT FTS 1002 FOR WIRE TIE SPECIFICATIONS UNLESS OTHERWISE NOTED
- APPLY LOCTITE 242 TO BOLTS NOT WIRE TIED UNLESS OTHERWISE SPECIFIED
- MASK MACHINED FEATURES TO PREVENT INGRESS OF PAINT AND PRIMER
- ALL COMPONENTS REQUIRED IN BOM, NO SUBSTITUTES PERMITTED
- NO EXPOSED WIRE ROPE BEYOND CRIMP FERRULE
- APPLY GREASE TO ITEM AS SHOWN

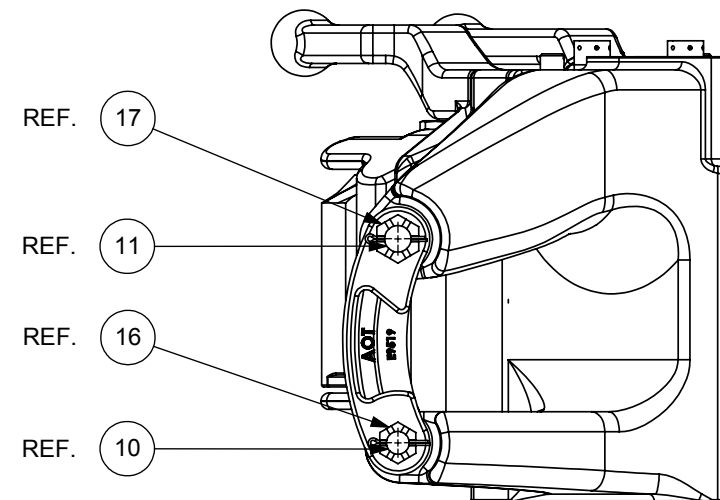
DO NOT SCALE DOCUMENT	THIRD ANGLE PROJECTION	ECO #: 03709	ORIGINAL APPROVAL		DESC: GG ELEVATOR, INSERT BUSHING ASSEMBLY
PROPRIETARY INFORMATION: THIS DOCUMENT CONTAINS PROPRIETARY INFORMATION, AND SUCH INFORMATION MAY NOT BE DISCLOSED TO OTHERS FOR ANY PURPOSE NOR USED FOR MANUFACTURING PURPOSES WITHOUT WRITTEN PERMISSION FROM FORUM OILFIELD TECHNOLOGIES, INC.		PREPARED BY: crichter	DATE: 02/06/12	PREPARED BY: jgranger	DATE: 01/06/12
		CHECKED BY: crichter	DATE: 02/06/12	CHECKED BY: crichter	DATE: 1/19/2012
		APPROVED BY: jgranger	DATE: 02/08/12	APPROVED BY: jgranger	DATE: 01/19/12
		WEIGHT 744.97 LBS		DRAWING # E31068-IB	
SHEET SIZE B		SHEET 1 OF 2		REVISION A	



SECTION A-A



DETAIL C



SECTION B-B

FORUM

DESC: GG ELEVATOR, INSERT BUSHING ASSEMBLY		
WEIGHT 744.97LBS	DRAWING # E31068-IB	
SHEET SIZE B	SHEET 2 OF 2	REVISION A