

4 3 2 1

ITEM NO.	DESCRIPTION	PART NUMBER	QTY.
1	BODY	E34904-IB	1
2	DOOR	E34905-IB	1
3	LATCH	E34906	1
4	HINGE PIN	E34908	1
5	LINK BLOCK	E9519	2
6	LATCH LOCK	E13152	1
7	SCREW, CAP-HEX HEAD (UNC 2A)3/4-10 X10 , GR8	50012-80-C8	1
8	LATCH PIN	E34907	1
9	LATCH LOCK SPRING	E13188	1
10	LATCH SPRING	E34909	1
11	NUT, HEX-SELF LOCK-NYLON UNC	51850-12-Z-5	1
12	COTTER PIN	51435-12	4
13	NUT, HEX-SLOTTED (UNC-2B)	50514-C	2
14	NUT, HEX-SLOTTED (UNC-2B)	50512-C	2
15	GREASE ZERK, NPT, STRAIGHT	53226-04-01-A-13-01A	1
16	PIN, ROLL	51606-40-C	1
17	PIN, ROLL	51605-32-C	1
18	GREASE ZERK, STRAIGHT, DRIVE TYPE	53226-03-06-A-08-01A	2
19	LINK BLOCK RETAINER BOLT	E8151	2
20	LINK BLOCK RETAINER BOLT	E8145-2	2
21	SOCKET HEAD CAP SCREW- UNC	50108-006-03F	4
22	BUSHING SPACER	E35001-S	4
23	INSERT BUSHING RETAINER BOLT	E35001	4
24	LOCK BLOCK	1027320	4
25	LOCK BLOCK REMOVAL TOOL	E35002-T	1

NOTES:

1. SEE FORUM DOCUMENT FTS 1001 FOR TORQUE SPECIFICATIONS UNLESS OTHERWISE NOTED
2. SEE FORUM DOCUMENT FTS 1002 FOR WIRE TIE SPECIFICATIONS UNLESS OTHERWISE NOTED
3. APPLY LOCTITE 242 TO BOLTS NOT WIRE TIED UNLESS OTHERWISE SPECIFIED
4. MASK MACHINED FEATURES TO PREVENT INGRESS OF PAINT AND PRIMER
5. ALL COMPONENTS REQUIRED IN BOM, NO SUBSTITUTES PERMITTED
6. NO EXPOSED WIRE ROPE BEYOND CRIMP FERRULE
7. APPLY GREASE TO ITEM AS SHOWN

DO NOT SCALE DOCUMENT	THIRD ANGLE PROJECTION	ECO #:	ORIGINAL APPROVAL		DESC: MGG ELEVATOR, INSERT BUSHING ASSEMBLY
	<small>PROPRIETARY INFORMATION:</small> <small>THIS DOCUMENT CONTAINS PROPRIETARY INFORMATION, AND SUCH INFORMATION MAY NOT BE DISCLOSED TO OTHERS FOR ANY PURPOSE NOR USED FOR MANUFACTURING PURPOSES WITHOUT WRITTEN PERMISSION FROM FORUM OILFIELD TECHNOLOGIES, INC.</small>	PREPARED BY: _____ DATE: _____ CHECKED BY: _____ DATE: _____ APPROVED BY: _____ DATE: _____	PREPARED BY: jgranger DATE: 02/23/12 CHECKED BY: crichter DATE: 2/28/2012 APPROVED BY: jgranger DATE: 02/28/12	WEIGHT: 572.11 LBS SHEET SIZE: B	

4 3 2 1

4

3

2

1

D

D

C

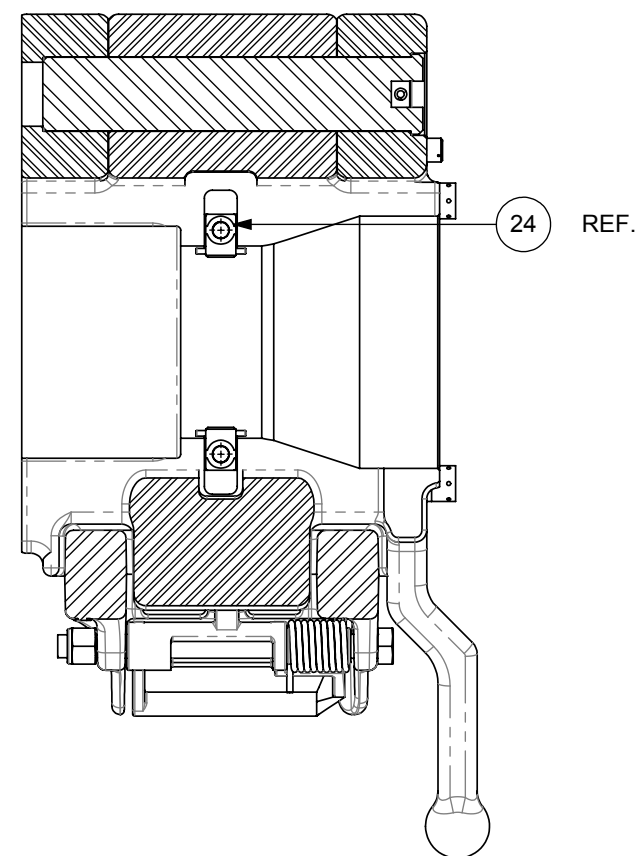
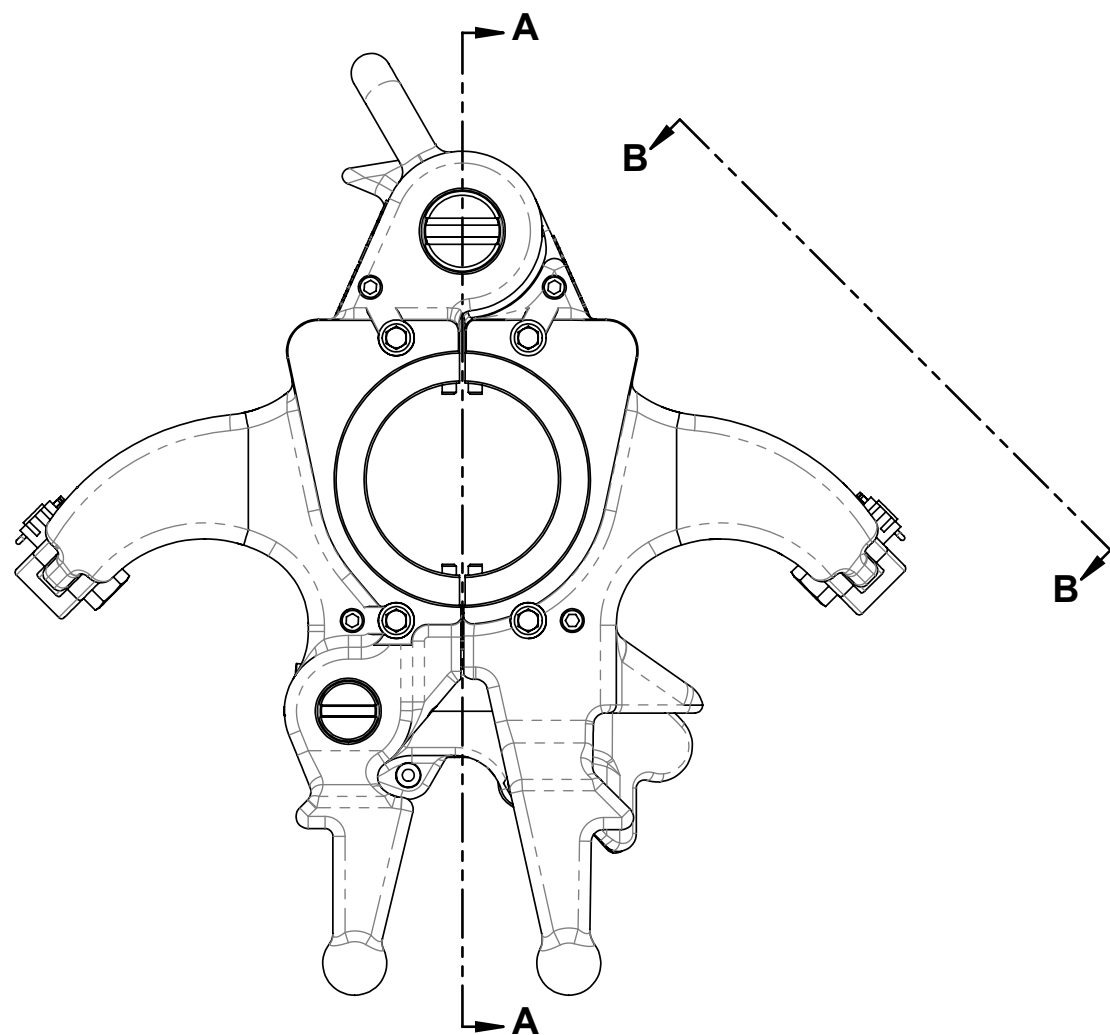
C

B

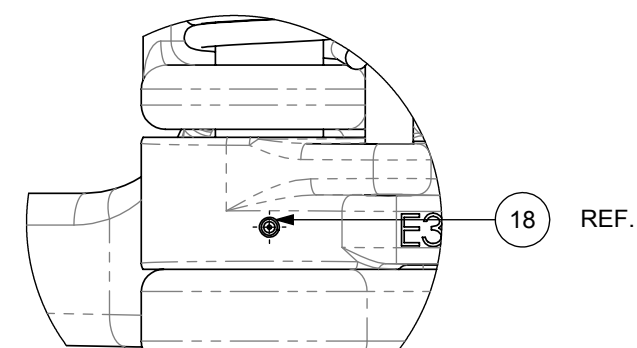
B

A

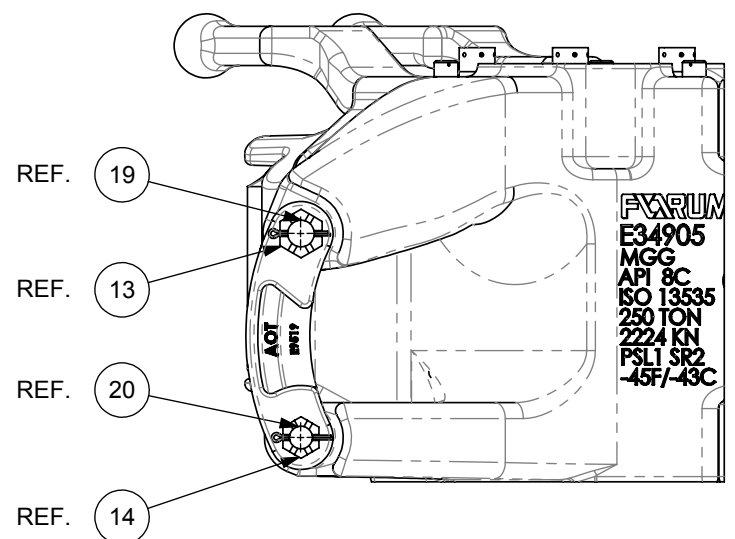
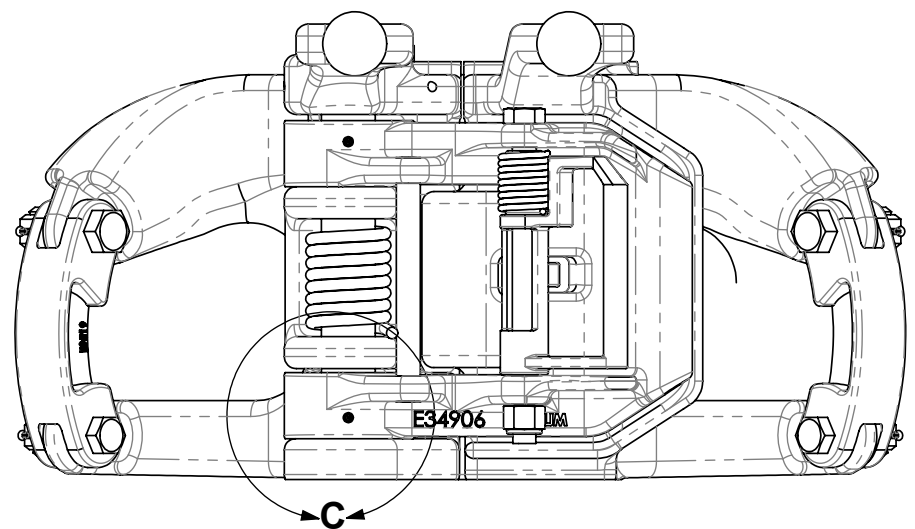
A



SECTION A-A



DETAIL C



SECTION B-B

FORUM
E34905
MGG
API 8C
ISO 13535
250 TON
2224 KN
PSLI SR2
-45F/-43C

FORUM

DESC: MGG ELEVATOR, INSERT BUSHING ASSEMBLY		
WEIGHT 572.11LBS	DRAWING # E35005-IB	
SHEET SIZE B	SHEET 2 OF 2	REVISION -