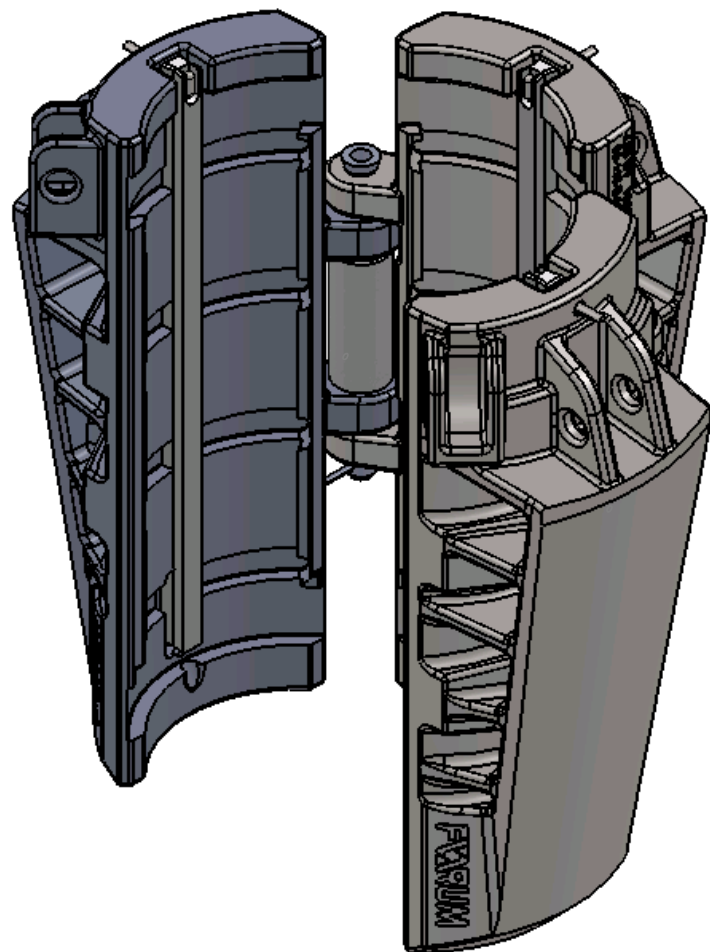
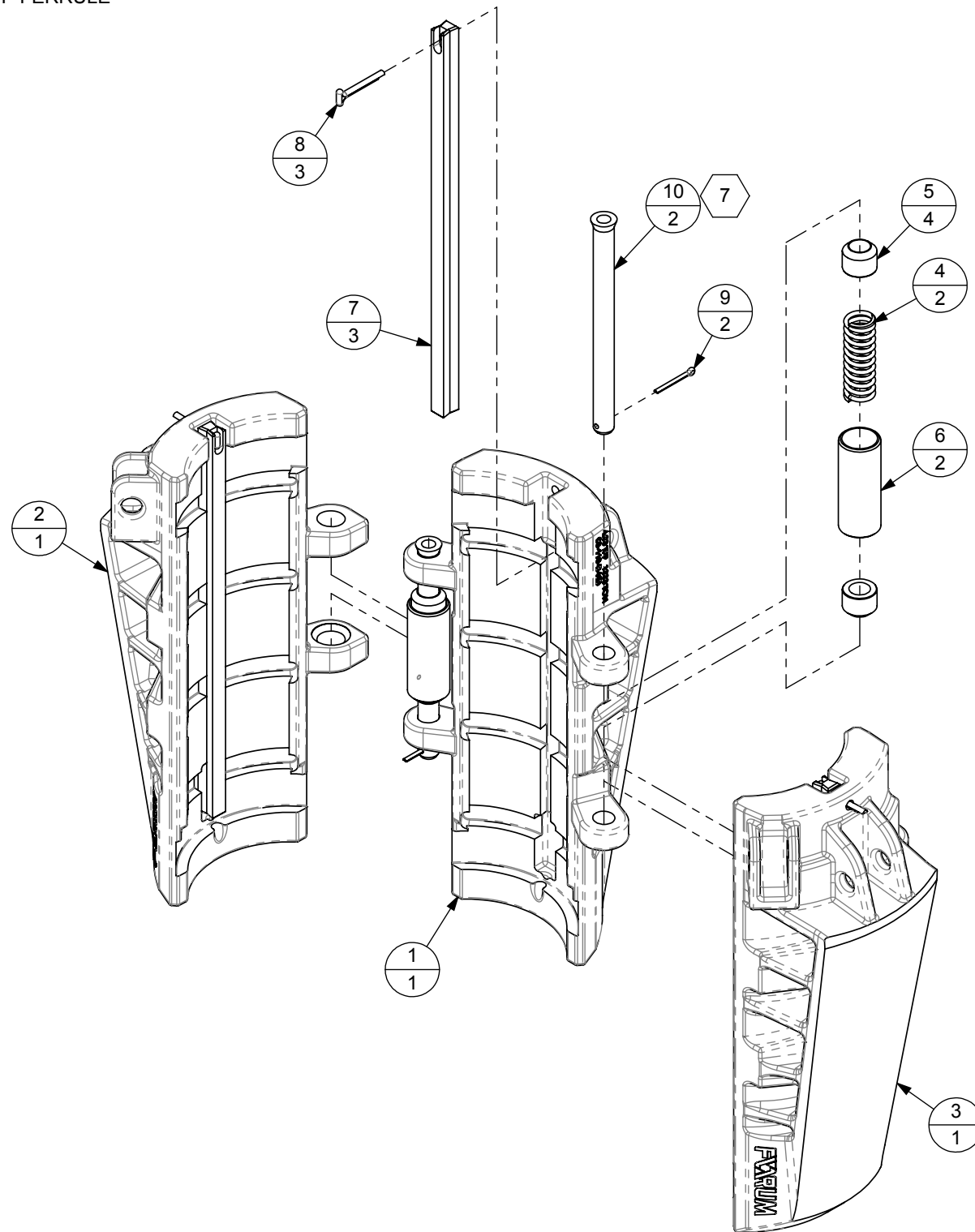


ITEM NO.	PART NUMBER	DESCRIPTION	QTY.
	03-101	FRONT HANDLE	2
	03-102	REAR HANDLE	1
	03-108	HINGE SPRING ASSY.	2
7	03-103-LD	LONG SLIP LINER RETAINER	3
8	51701-40-13-00	PIN, COTTER, TEE HEAD	3
9	51435-12	COTTER PIN	2
10	03-110	TATTLE TAIL HINGE PIN	2
	03-504	7" x 4 1/2" INSERT	24
	03-505	7" x 5" INSERT	24
	03-510	7" x 5 1/2" INSERT	24
	03-515	7" x 5 7/8" INSERT	24
	03-520	7" x 6 5/8" INSERT	24
	03-523	7" x 6.906" INSERT	24
	03-528	7" x 7" INSERT	24

**NOTES:**

1. SEE FORUM DOCUMENT FTS 1001 FOR TORQUE SPECIFICATIONS UNLESS OTHERWISE NOTED
2. SEE FORUM DOCUMENT FTS 1002 FOR WIRE TIE SPECIFICATIONS UNLESS OTHERWISE NOTED
3. APPLY LOCTITE 242 TO BOLTS NOT WIRE TIED UNLESS OTHERWISE SPECIFIED
4. MASK MACHINED FEATURES TO PREVENT INGRESS OF PAINT AND PRIMER
5. ALL COMPONENTS REQUIRED IN BOM, NO SUBSTITUTES PERMITTED
6. NO EXPOSED WIRE ROPE BEYOND CRIMP FERRULE
7. APPLY GREASE TO ITEM AS SHOWN



DO NOT SCALE DOCUMENT	THIRD ANGLE PROJECTION	ECO #:		ORIGINAL APPROVAL		DESC: LD SLIP ASSEMBLY	
		PREPARED BY:	DATE:	PREPARED BY: crichter	DATE: 01/15/13	WEIGHT: 186.10 LBS	DRAWING # 03-500-LD-B
PROPRIETARY INFORMATION: THIS DOCUMENT CONTAINS PROPRIETARY INFORMATION, AND SUCH INFORMATION MAY NOT BE DISCLOSED TO OTHERS FOR ANY PURPOSE NOR USED FOR MANUFACTURING PURPOSES WITHOUT WRITTEN PERMISSION FROM FORUM ENERGY TECHNOLOGIES		CHECKED BY:	DATE:	CHECKED BY: crichter	DATE: 1/23/2013	SHEET SIZE: B	SHEET 1 OF 1
		APPROVED BY:	DATE:	APPROVED BY: jgranger	DATE: 02/01/13	REVISION: -	