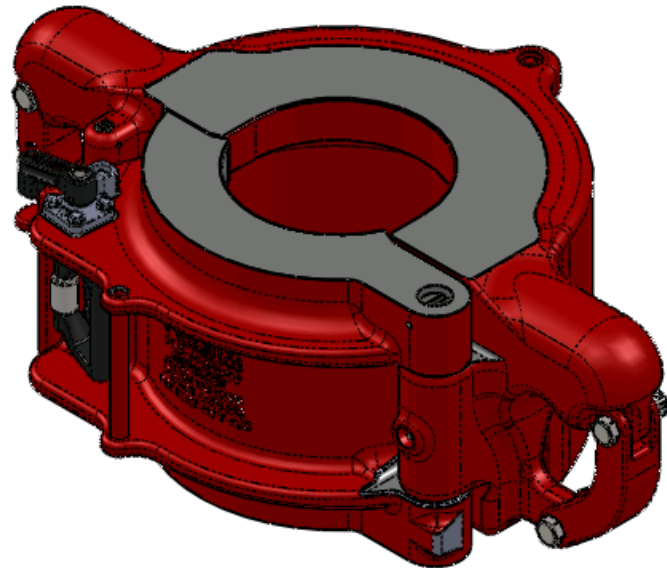
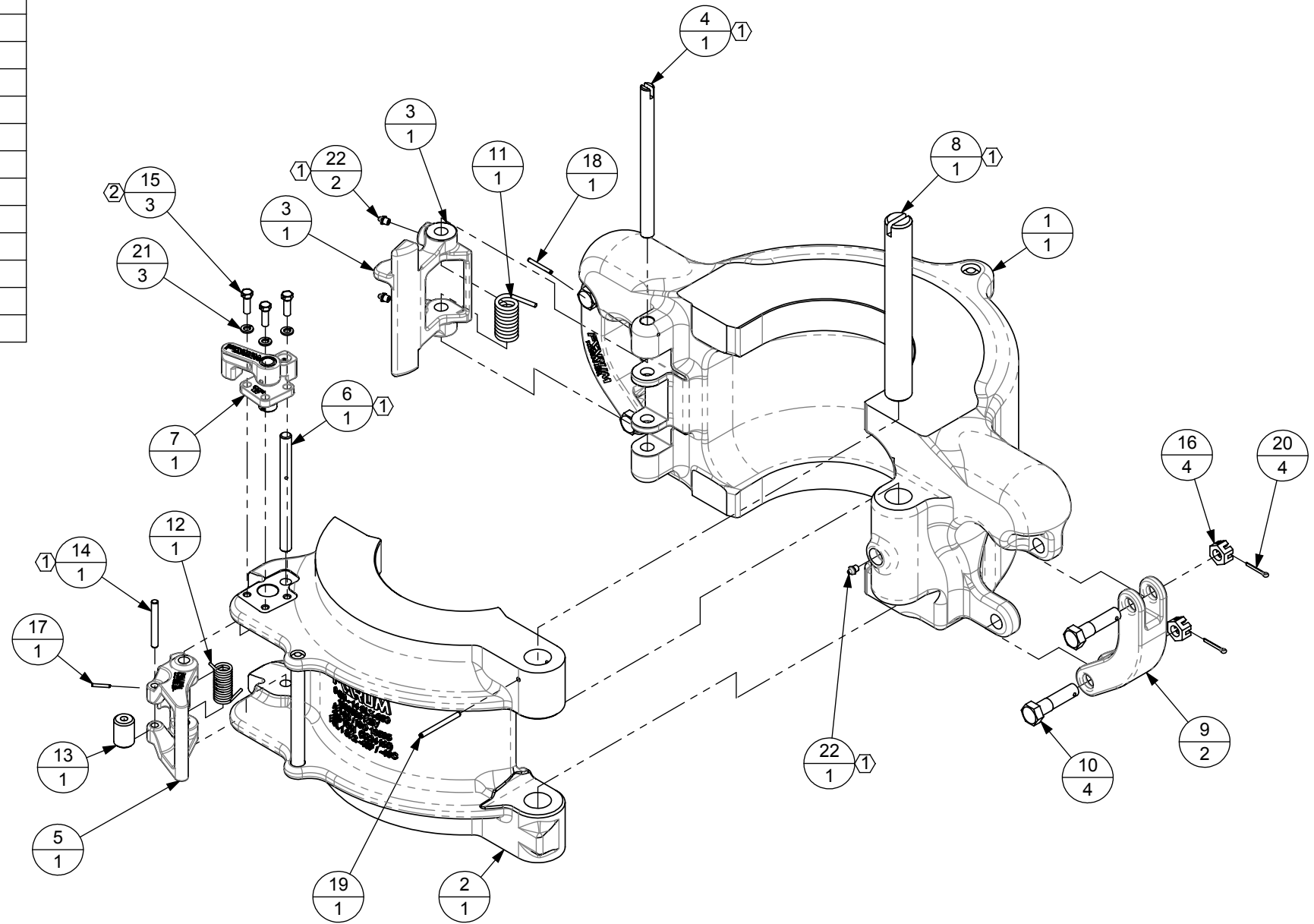
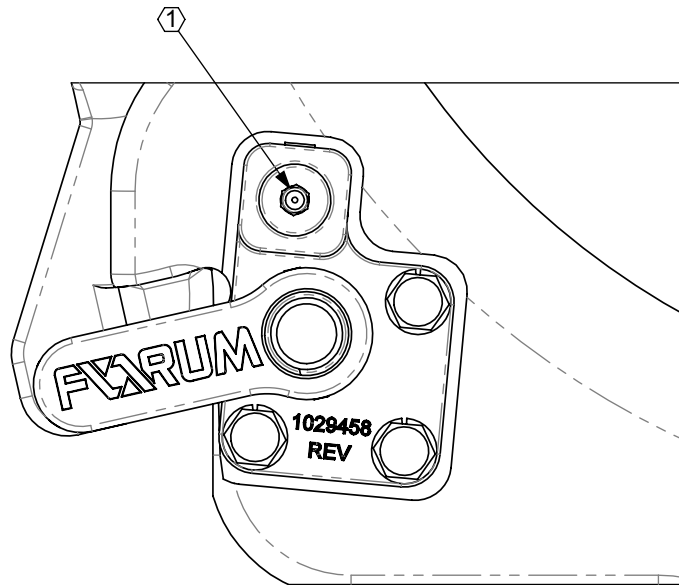
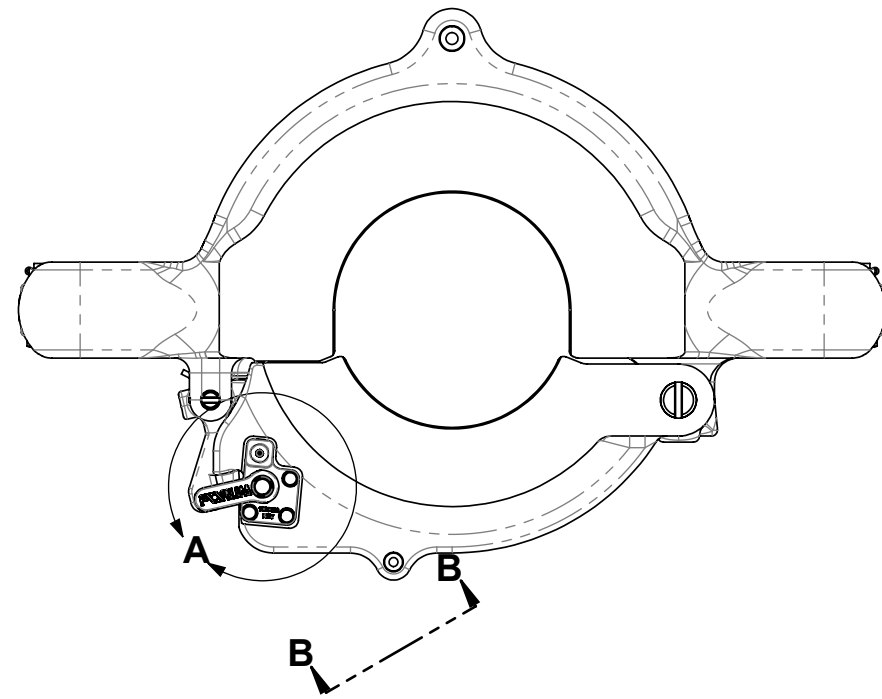


ITEM NO.	PART NUMBER	DESCRIPTION	QTY.
1	1033587	BODY	1
2	1033589	DOOR	1
3	1029449	LATCH	1
4	1029450	LATCH PIN	1
5	1029452	LATCH LOCK	1
6	1029453	LATCH LOCK PIN	1
7	1029454	SECONDARY LATCH LOCK	1
8	1029686	HINGE PIN	1
9	1025864	LINK BLOCK	2
10	E8145-2	LINK BLOCK RETAINER BOLT	4
11	E31383	LATCH SPRING	1
12	E31404	LATCH LOCK SPRING	1
13	E31407	ROLLER	1
14	E31584	ROLLER PIN	1
15	50006-09-SD	SCREW, CAP-HEX HEAD (UNC 2A)3/8-16 X1 1/8 , SS	3
16	50512-C	NUT, HEX-SLOTTED (UNC-2B)	4
17	51635-08-S	PIN, ROLL	2
18	51603-14-S	PIN, ROLL	1
19	51604-24-S	PIN, ROLL	1
20	51435-10	COTTER PIN	4
21	50906-C	WASHER, LOCK-REGULAR 3/8	3
22	53226-02-01-A-10-01A	GREASE ZERK, NPT, STRAIGHT	3

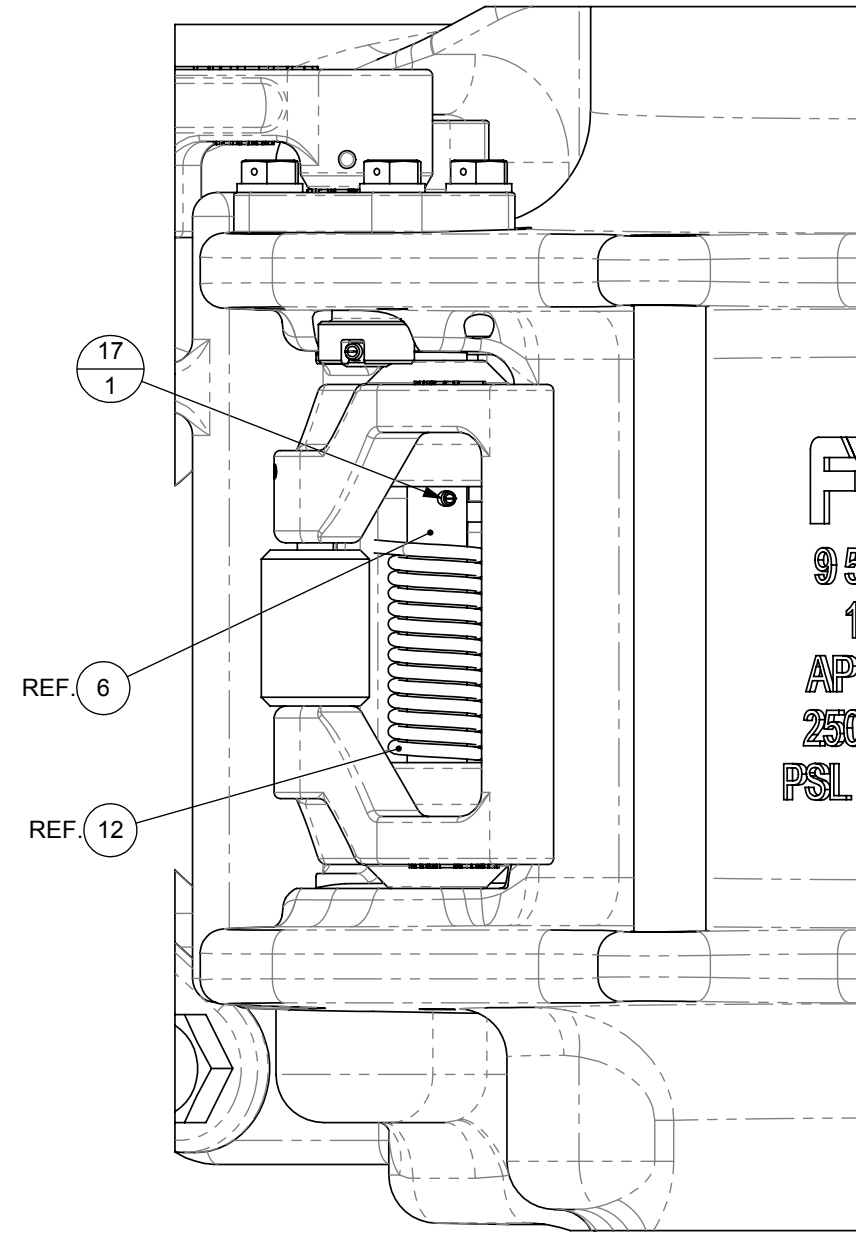
NOTES:
 ① APPLY GREASE TO ITEM AS SHOWN
 ② WIRE TIE ADJACENT BOLTS TOGETHER
 3. SECONDARY LATCH LOCK SHOWN IN LOCK POSITION



DO NOT SCALE DOCUMENT	THIRD ANGLE PROJECTION	ECO #: 05040	ORIGINAL APPROVAL		DESC: 9 5/8" - 14" SLX-250 ELEVATOR ASSEMBLY
PROPRIETARY INFORMATION: THIS DOCUMENT CONTAINS PROPRIETARY INFORMATION, AND SUCH INFORMATION MAY NOT BE DISCLOSED TO OTHERS FOR ANY PURPOSE NOR USED FOR MANUFACTURING PURPOSES WITHOUT WRITTEN PERMISSION FROM FORUM OILFIELD TECHNOLOGIES, INC.		PREPARED BY: jblanchard CHECKED BY: sfalcon APPROVED BY: lchildress	DATE: 08/30/12 DATE: 08/30/12 DATE: 08/30/12	PREPARED BY: jgranger CHECKED BY: jblanchard APPROVED BY: lchildress	DATE: 08/25/11 DATE: 10/4/2011 DATE: 10/04/11
		WEIGHT: 724.72 LBS	DRAWING # 1033575		
		SHEET SIZE: B	SHEET: 1 OF 2	REVISION: A	



DETAIL A



SECTION B-B

FLURUM

DESC: 9 5/8" - 14" SLX-250 ELEVATOR ASSEMBLY		
WEIGHT 724.72LBS	DRAWING # 1033575	
SHEET SIZE B	SHEET 2 OF 2	REVISION A