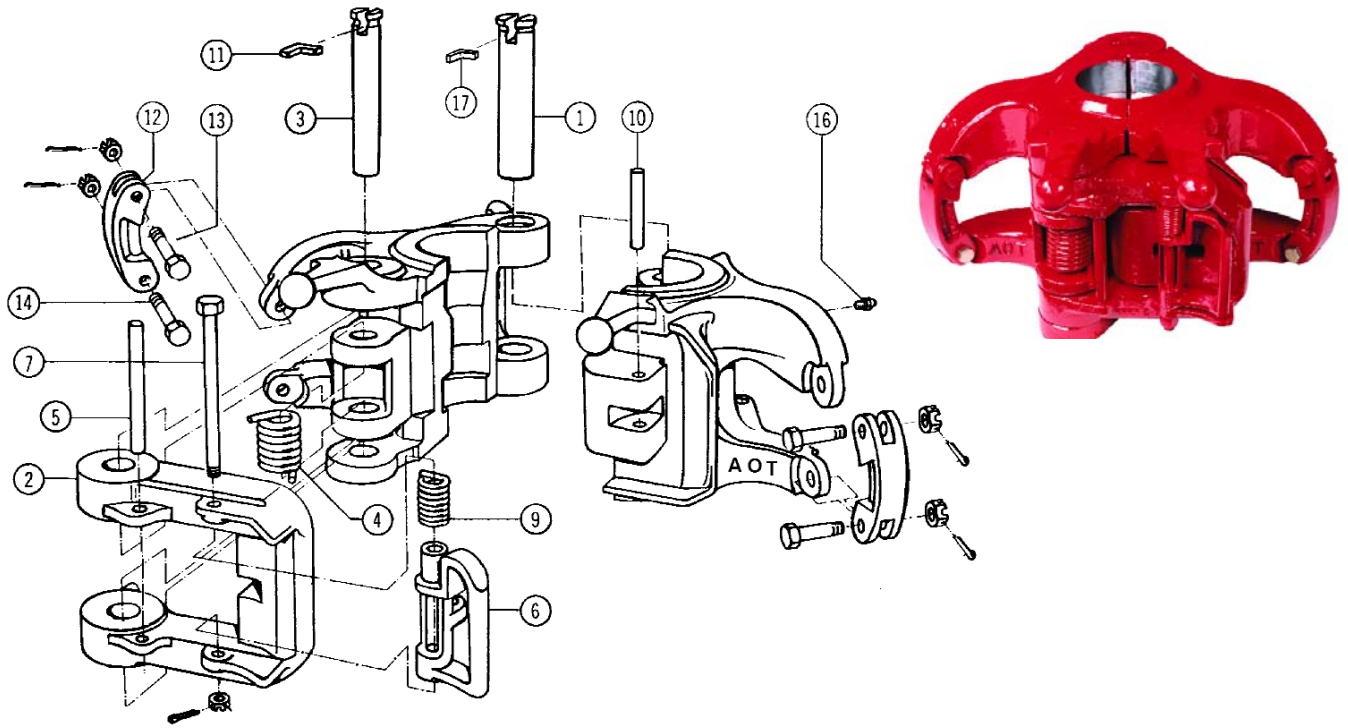


AOT GG (350 TON) BOTTLENECK ELEVATOR

AOT #	RANGE	SIZE OF LINKS	WT.
E31068	3 1/2" - 5 1/2"	2 1/4" - 3 1/2"	715.00



REPLACEMENT PARTS FOR GG ELEVATORS

AOT #	ITEM #	DESCRIPTION	SPARES	# REQ.	WT.
E33998	1	HINGE PIN	*	1	18.38
E31071	2	LATCH		1	50.00
E33999	3	LATCH PIN	*	1	10.38
E18416	4	LATCH SPRING	2	1	2.25
E13185	5	LATCH SPRING STOP	2	1	.94
E13152	6	LATCH LOCK	*	1	4.00
E15101	7	LATCH LOCK BOLT	2	1	1.30
E939484-8	8	LATCH LOCK BOLT NUT	2	1	.20
E13188	9	LATCH LOCK SPRING	2	1	.30
E13190	10	DOOR LUG PIN		1	.32
E32892	11	LATCH PIN RETAINER	2	1	.04
E12732	n/p	DOOR CATCH ARM		1	1.50
E12916	n/p	DOOR CATCH ARM PIN		1	.13
E9561	n/p	DOOR CATCH SPRING	*	1	.13
E12734	n/p	ROLLER		1	.50
E12735	n/p	ROLLER PIN		1	.25
E9519	12	LINK BLOCK		2	5.50
E8151	13	UPPER LINK BLOCK BOLT, NUT & COT.		2	.50
E8145-2	14	LINK BLOCK BOLT & NUT	2	2	.75
E939672-19	15	COTTER PIN		3	.06
E940308-1	16	GREASE FITTING		1	.10
E31074	11	HINGE PIN RETAINER	*	1	.50

1 YEAR SPARES, FOR 2 YEARS SPARES ADD 1 EA. OF * THESE ITEMS