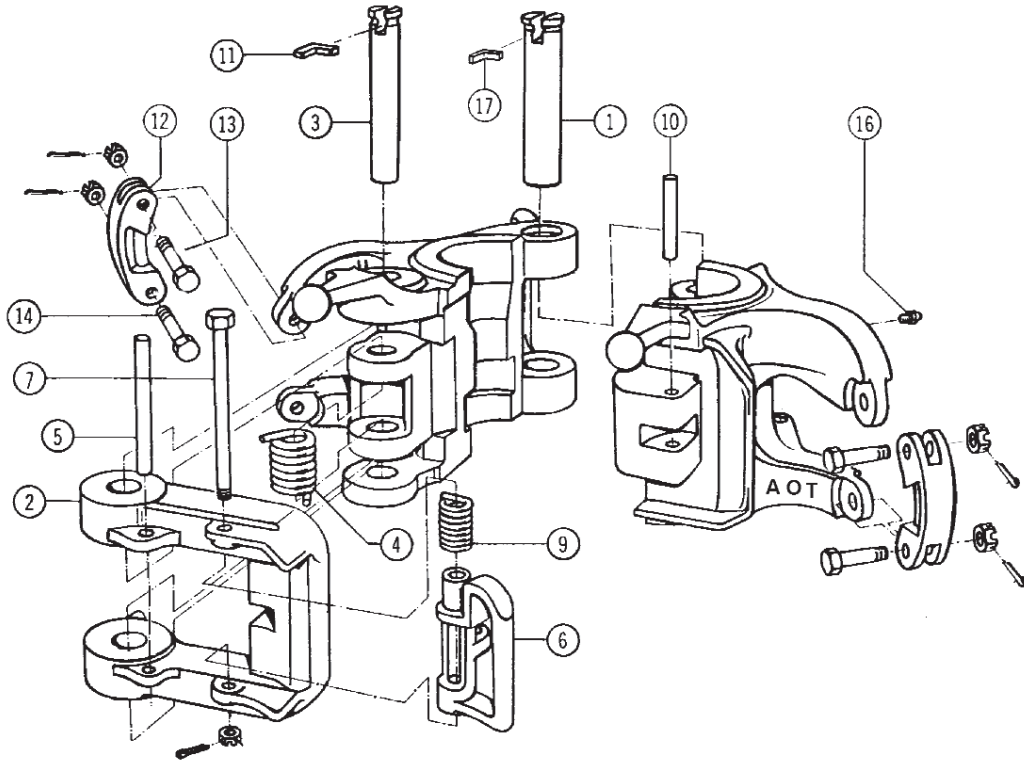


AOT RG (150 TON) BOTTLENECK ELEVATOR

AOT #	RANGE	SIZE OF LINKS	WT.
E30156	2 3/8" - 3 1/2"	1 3/4" - 2 3/4"	308-296



REPLACEMENT PARTS FOR RG ELEVATORS

AOT #	ITEM #	DESCRIPTION	SPARES	# REQ.	WT.
E23569	1	HINGE PIN	*	1	8.13
E23543	2	LATCH	1	1	33.00
E23544	3	LATCH PIN	*	1	3.90
E23546	4	LATCH SPRING	2	1	.75
E23548	5	LATCH SPRING STOP	1	1	.88
E23729	6	LATCH LOCK	*	1	4.00
E23553	7	LATCH LOCK BOLT	1	1	1.13
E939484-8	8	LATCH LOCK BOLT NUT	1	1	.20
E13188	9	LATCH LOCK SPRING	2	1	.30
E23547	10	DOOR LUG PIN		1	.25
E8156	11	LATCH PIN RETAINER	2	1	.25
E9519	12	LINK BLOCK		2	5.50
E8151	13	UPPER LINK BLOCK BOLT, NUT & COT.	2	2	.50
E8145-2	12	LOWER LINK BLOCK BOLT & NUT & COT.	2	2	.75
E939672-18	13	COTTER PIN		3	.10
E940308-1	14	GREASE FITTING		1	.10

1 YEAR SPARES, FOR 2 YEARS SPARES ADD 1 EA. OF * THESE ITEMS