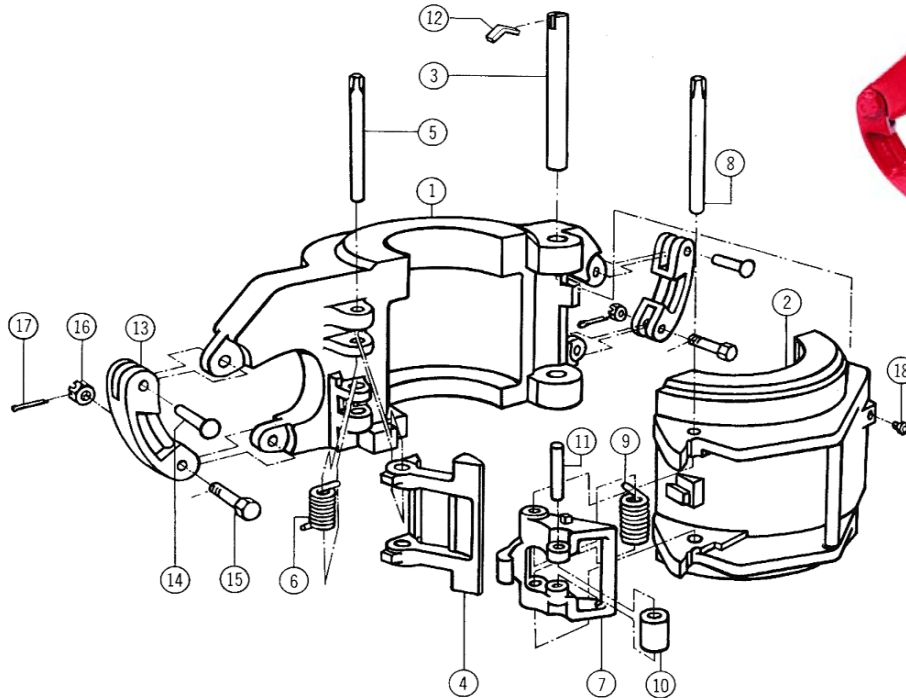


## AOT SLX - 150 (150 TON) SIDE DOOR ELEVATORS

AOT #	RANGE	WT.
E31239	5 1/2" - 8 5/8"	300.00
E33950	9 5/8" - 10 3/4"	420.00
E33982	11 3/4" - 13 3/8"	475.00
E33632	16" - 20"	720.00



### REPLACEMENT PARTS FOR SLX-150 ELEVATORS

AOT #	ITEM #	DESCRIPTION	**SPARES	# REQ.	WT.
E34611	3	HINGE PIN ( 5 1/2" - 8 5/8")		1	4.44
E33953	3	HINGE PIN ( 9 5/8" - 10 3/4")		1	6.25
E33985	3	HINGE PIN ( 11 3/4" - 13 3/8")		1	8.50
E33646	3	HINGE PIN (16" - 20")		1	10.00
E31331	4	LATCH ( 5 1/2" - 13 3/8")		1	4.50
E33634	4	LATCH ( 16" - 20")		1	6.00
E32424-3	5	LATCH PIN ( 5 1/2" - 13 3/8")	1	1	.75
E33645	5	LATCH PIN (16" - 20")	1	1	2.00
E31383	6	LATCH SPRING ( 5 1/2" - 13 3/8")	2	1	.44
E33657	6	LATCH SPRING (16" - 20")	2	1	.50
E31332	7	LATCH LOCK ( 5 1/2" - 13 3/8")		1	3.50
E33635	7	LATCH LOCK (16" - 20")		1	5.00
E29980-4	8	LATCH LOCK PIN ( 5 1/2" - 13 3/8")	1	1	.50
E50713	8	LATCH LOCK PIN (16" - 20")	1	1	1.00
E31404	9	LATCH LOCK SPRING ( 5 1/2" - 13 3/8")	2	1	.19
E33658	9	LATCH LOCK SPRING (16" - 20")	2	1	.50
E31407	10	ROLLER		1	.38
E31584	11	ROLLER PIN		1	.13
E34614	12	HINGE PIN RETAINER ( 5 1/2" - 8 5/8")		1	.06
E32918	12	HINGE PIN RETAINER ( 9 5/8" - 10 3/4")		1	.06
E32892	12	HINGE PIN RETAINER (11 3/4" - 20")		1	.04
E9519	13	LINK BLOCK		2	5.50
E8151	14	LINK BLOCK PIN	2	2	.50
E8145	15	LINK BLOCK BOLT	2	2	.50
E8150	16	LINK BLOCK NUT	2	2	.13
E939672-20	17	COTTER PIN	2	2	.06
E940308-1	18	GREASE FITTING			.10