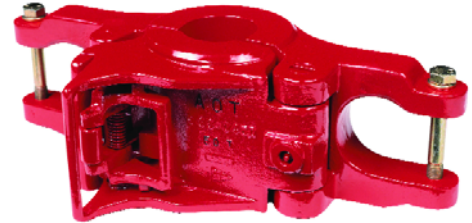
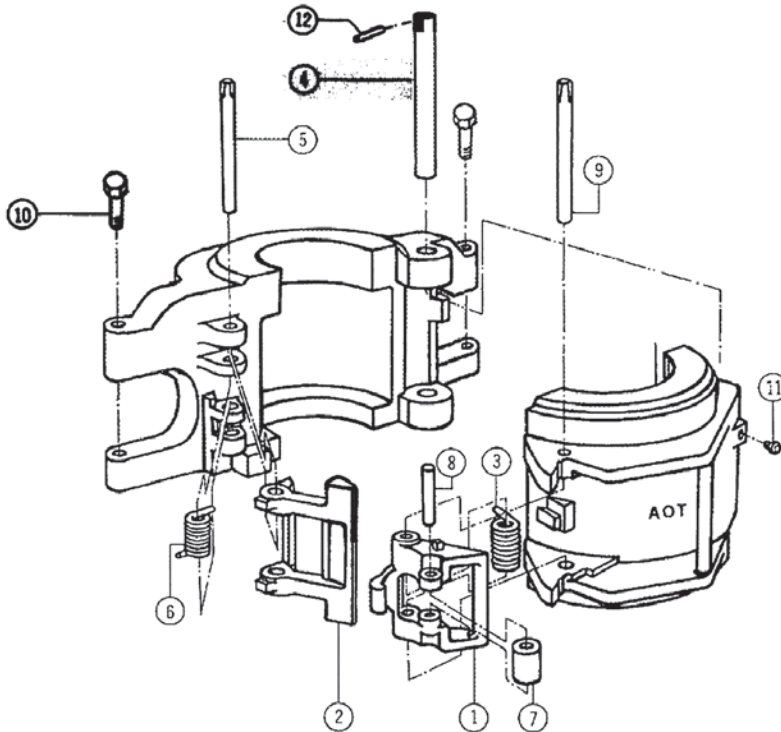


## AOT SLX - 65 TON SIDE DOOR ELEVATOR

AOT #	RANGE	WT.
E38-045	3 1/2" - 5 1/2"	160.00
E38-067	5 3/4" - 8 5/8"	190.00
E38-809	9" - 10 3/4"	218.00
E38-137	11" - 14 1/4"	275.00



### REPLACEMENT PARTS FOR SLX- 65 ELEVATORS

AOT #	ITEM #	DESCRIPTION	**SPARES	# REQ.	WT.
E33812	1	LATCH LOCK (3 1/2" - 5 1/2")		1	3.38
E33813	2	LATCH (3 1/2" - 5 1/2")		1	3.44
E33816	3	LATCH LOCK SPRING (3 1/2" - 5 1/2")	2	1	.25
E34612	4	HINGE PIN (3 1/2" - 8 5/8")		1	2.00
E29980-3	5	LATCH PIN (3 1/2" - 5 1/2")		1	.83
E29980-3	9	LATCH LOCK PIN (3 1/2" - 5 1/2")		1	.83
E33818	6	LATCH SPRING (3 1/2" - 5 1/2")	2	1	.19
E33817	7	ROLLER		1	.25
E31584	8	ROLLER PIN		1	.10
E34X6	10	LINK BLOCK BOLT (3 1/2" - 5 1/2")	2	2	.75
E53201	11	GREASE FITTING		2	.10
E31332	1	LATCH LOCK (5 3/4" - 14 1/4")		1	3.50
E31331	2	LATCH (5 3/4" - 14 1/4")		1	4.50
E34611	4	HINGE PIN (9 5/8" - 14 1/4")		1	2.00
E32424-3	5	LATCH PIN (5 3/4" - 14 1/4")		1	.83
E29980-4	9	LATCH LOCK PIN (5 3/4" - 14 1/4")		1	.50
E31383	6	LATCH SPRING (5 3/4" - 14 1/4")	2	1	.45
E31404	3	LATCH LOCK SPRING (5 3/4" - 14 1/4")	2	1	.19
E34X7	10	LINK BLOCK BOLT (5 3/4"-14 1/4")	2	2	1.00
E34614	12	HINGE PIN RETAINER		1	.06

1 YEAR SPARES, FOR 2 YEARS SPARES ADD 1 EA. OF \* THESE ITEMS