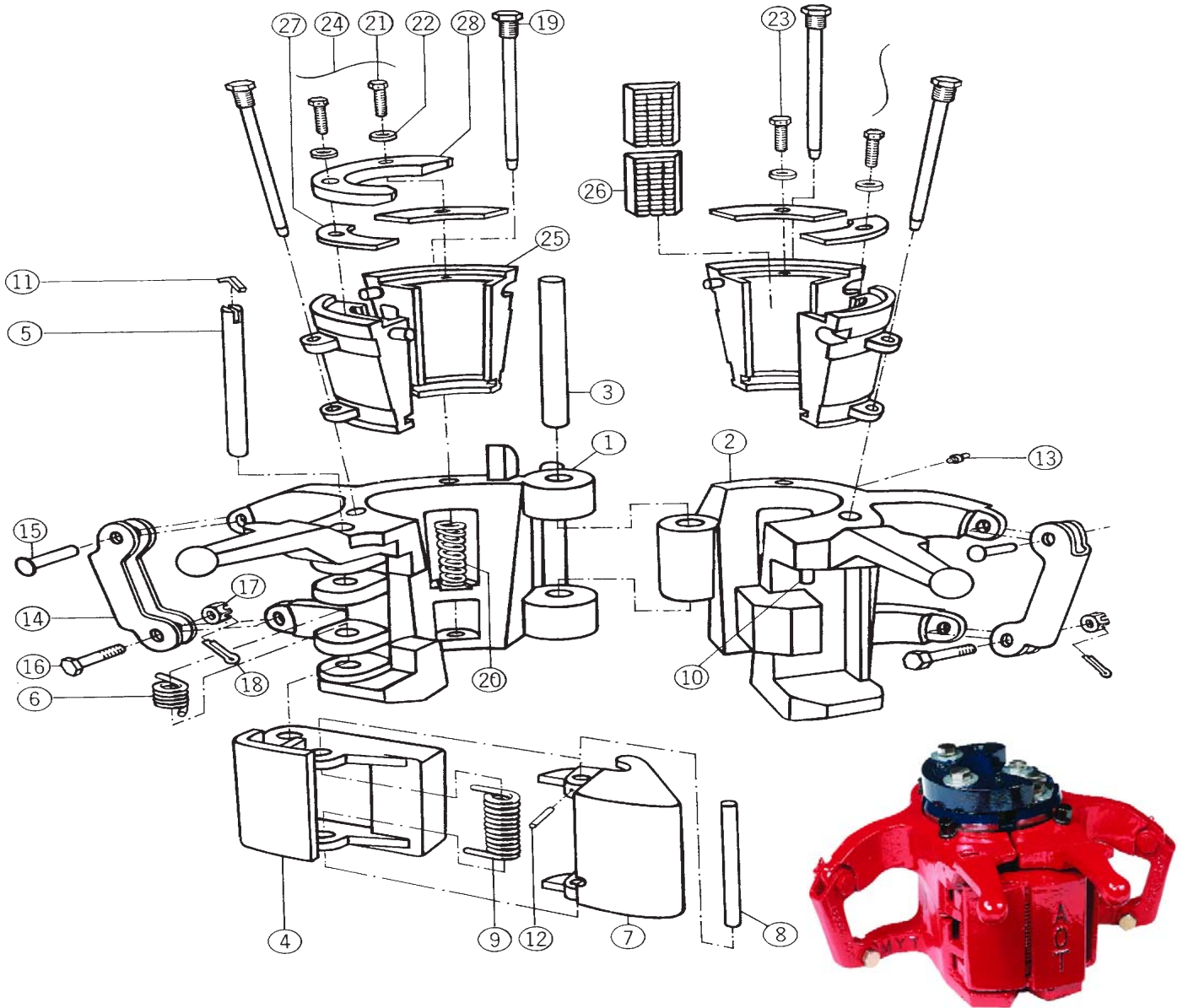


# AOT 40 TON MYT SLIP TYPE ELEVATOR

AOT #	DESCRIPTION	SIZE OF LINKS	WT.
E29328	MYT ELEVATOR COMPLETE LESS SLIP ASSEMBLY.	1 1/4" - 2 3/4"	148.00



## MYT SLIP ASSEMBLIES

AOT #	DESCRIPTION	WT.
E29343-1	2 7/8" X 2 7/8" MYT SLIP ASSEMBLY	44.00
E29343-2	2 7/8" X 2 3/8" MYT SLIP ASSEMBLY	46.00
E29343-3	2 7/8" X 2 1/16" MYT SLIP ASSEMBLY	47.25
E29343-4	2 7/8" X 2" MYT SLIP ASSEMBLY	47.50
E29343-5	2 7/8" X 1 1/2" (1.900") MYT SLIP ASSEMBLY	48.75
E29343-6	2 7/8" X 1 1/4" (1.660") MYT SLIP ASSEMBLY	49.75
E29343-7	2 7/8" X 1" (1.315") MYT SLIP ASSEMBLY	49.75
E29343-8	2 7/8" X 3/4" (1.050") MYT SLIP ASSEMBLY.	51.00
E29343-10-S	2 7/8" MYT SLIP SEGMENTS ONLY (MATCHED SET OF 4)	31.00



## MYT REPLACEMENT PARTS

AOT #	ITEM #	DESCRIPTION	**SPARES	# REQ.	WT.
E29333	3	HINGE PIN		1	4.00
E30652	4	LATCH		1	10.00
E29334	5	LATCH PIN		1	4.00
E29338	6	LATCH SPRING	2	1	.50
E30653	7	LATCH LOCK		1	2.00
E29335	8	LATCH LOCK PIN	2	1	.50
E29349	9	LATCH LOCK SPRING	2	1	.25
E30841	10	LATCH LOCK DOOR PIN		1	.50
E947128-120	11	LATCH PIN RETAINER	2	1	1.50
E947128-172	12	LATCH LOCK PIN RETAINER	2	1	.50
E940308-1	13	GREASE FITTING		1	.10
E30708	N/P	LATCH & LATCH LOCK ASSY.		1	12.88
E29337	14	LINK BLOCK		2	1.00
E29359	15	USE P/N E939009-65		2	.13
E939009-65	16	UPPER & LOWER LINK BLOCK PIN	2	2	.45
E939484-7	17	LINK BLOCK NUT	2	2	.20
E939672-18	18	COTTER PIN	2	2	.10
E29336	19	SLIP BOLT	4	4	.75
E29340	20	SLIP SPRING	8	4	.25
E29347	21	SETTING RING SCREW	4	2	.25
E939370-13	22	SETTING PLATE WASHER	4	2	.06
E939098-15	23	INSERT RETAINER SCREW	4	2	.13
E29344	25	INSERT RETAINER PLATE	4		.50

## MYT INSERTS

AOT #	ITEM #	DESCRIPTION	# REQ.	WT.
E24773	24	2 7/8" X 2 7/8" INSERT	8	.75
E29255	24	2 7/8" X 2 3/8" INSERT	8	1.00
E29256	24	2 7/8" X 2 1/16" & 2" INSERT	8	1.13
E29257	24	2 7/8" X 1 1/2" (1.900") INSERT	8	1.25
E29258	24	2 7/8" X 1 1/4" (1.660") INSERT	8	1.38
E29259	24	2 7/8" X 1" (1.315") INSERT	8	1.44
E29259-1	24	2 7/8" X 3/4" (1.050") INSERT	8	1.50

RECOMMENDED SPARES INCLUDE 1 SET OF INSERTS FOR EACH PIPE SIZE TO BE RUN

## MYT SETTING RINGS

AOT #	ITEM #	DESCRIPTION	WT.
E29348	28	2 7/8" MYT SETTING RING	6.50
E29345	28	2 3/8" MYT SETTING RING	6.63
E29350	28	2 1/16" MYT SETTING RING	7.00
E29351	28	2" MYT SETTING RING	7.10
E29352	28	1 1/2" (1.900") SETTING RING	7.35
E29353	28	1 1/4" (1.660") MYT SETTING RING	7.50
E29354	28	1" (1.315") MYT SETTING RING	7.90
E29354-1	28	3/4" (1.050") MYT SETTING RING	8.05

RECOMMENDED SPARES INCLUDE 2 SETTING RINGS FOR EACH PIPE SIZE TO BE RUN

