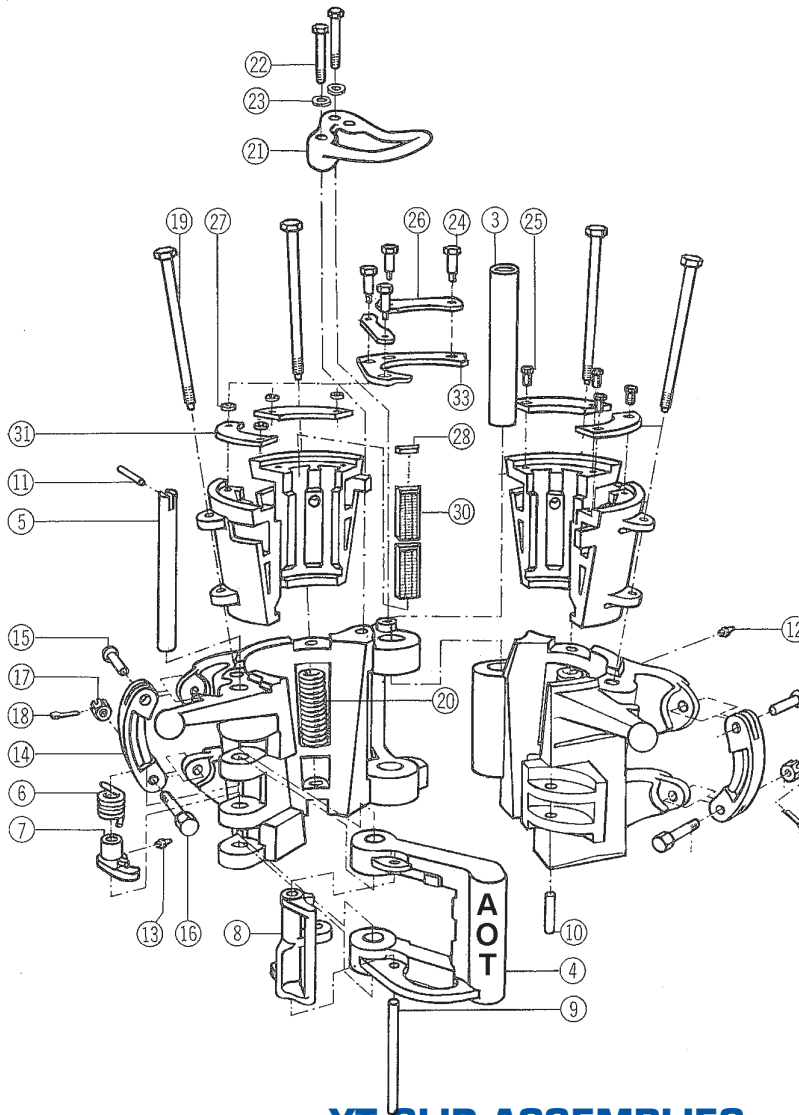


AOT YT 75 TON SLIP TYPE ELEVATOR

AOT #	DESCRIPTION	SIZE OF LINKS	WT.
E23105	YT ELEVATOR COMPLETE LESS SLIP ASSY.	2 1/4" - 2 3/4"	355.00



YT SLIP ASSEMBLIES

AOT#	DESCRIPTION	WT.
E23108-5	3 1/2" x 3 1/2" YT SLIP ASSEMBLY	64.00
E23108-3	3 1/2" x 2 7/8" YT SLIP ASSEMBLY	76.00
E23108-4	2 7/8" x 2 7/8" YT SLIP ASSEMBLY	76.00
E23108-6	2 7/8" x 2 3/8" YT SLIP ASSEMBLY	79.00
E23108-7	2 7/8" x 2 1/16" YT SLIP ASSEMBLY	81.00
E23108-8	2 7/8" x 2" (2.000") YT SLIP ASSEMBLY	82.00
E23108-9	2 7/8" x 1 1/2" (1.900") YT SLIP ASSEMBLY	83.50
E23108-10	2 7/8" x 1 1/4" (1.660") YT SLIP ASSEMBLY	85.50
E23108-11	2 7/8" x 1" (1.315") YT SLIP ASSEMBLY	86.50
E23108	3 1/2" YT SLIP SEGMENTS ONLY (MATCHED SET OF 4)	51.00
E23108-2	2 7/8" YT SLIP SEGMENTS ONLY (MATCHED SET OF 4)	51.00

YT REPLACEMENT PARTS

AOT #	ITEM #	DESCRIPTION	**SPARES	# REQ.	WT.
E23116-1	3	HINGE PIN		1	4.13
E15348	4	LATCH		1	27.00
E24182	5	LATCH PIN		1	5.00
E12978	6	LATCH SPRING	2	1	.63
E12946	7	LATCH CAM		1	1.50
E12972	8	LATCH LOCK		1	3.50
E13530	9	LATCH LOCK PIN	2	1	.63
E12529	10	DOOR LUG PIN		1	.65
E29464	11	LATCH PIN RETAINER	2	1	.20
E940308-1	12	GREASE FITTING		1	.10
E940308-8	13	GREASE FITTING		1	.10
E9519	14	LINK BLOCK		2	5.50
E8151	15	UPPER LINK BLOCK PIN, NUT & COTTER		2	.50
E8145	16	LINK BLOCK BOLT	2	2	1.19
E8150	17	LINK BLOCK NUT	2	2	.25
E939672-19	18	COTTER PIN	2	2	.10
E23115	19	SLIP BOLT	4	4	1.25
E23113	20	SLIP SPRING	8	4	.25
E23630	21	GUIDE PLATE		1	4.00
E939098-75	22	GUIDE PLATE SCREW	2	2	.25
E939352-64	23	GUIDE PLATE LOCKWASHER	2	2	.15
E27697	24	SETTING PLATE BOLT	8	4	.25
E27532	25	INSERT RETAINER SCREW	8	4	.06
E27546	26	SETTING RING RETAINER (3 1/2")	2	2	.13
E27507	26	SETTING RING RETAINER (2 7/8")	2	2	.13
E27696	27	RUBBER BUSHING	8	4	.06
E24507	28	INSERT SPACER (3 1/2")	8	8	.13
E24508	28	INSERT SPACER (2 7/8")	4	4	.25
E27530	31	INSERT RETAINER (3 1/2")		4	.13
E27451	31	INSERT RETAINER (2 7/8")		4	.25

YT INSERTS

AOT #	ITEM #	DESCRIPTION	# REQ.	WT.
E24774	30	3 1/2" X 3 1/2" INSERT	24	.50
E30358	30	3 1/2" X 2 7/8" INSERT	24	.75
E24773	30	2 7/8" X 2 7/8" INSERT	12	.75
E29255	30	2 7/8" X 2 3/8" INSERT	12	1.00
E29256	30	2 7/8" X 2 1/16" & 2" INSERT	12	1.20
E29257	30	2 7/8" X 1 1/2" (1.900") INSERT	12	1.25
E29258	30	2 7/8" X 1 1/4" (1.660") INSERT	12	1.38
E29259	30	2 7/8" X 1" (1.315") INSERT	12	1.45

RECOMMENDED SPARES INCLUDE 1 SET OF INSERTS FOR EACH PIPE SIZE TO RUN

YT SETTING RINGS

AOT #	ITEM #	DESCRIPTION	WT.
E27813	33	3 1/2" YT SETTING RING	3.13
E27695	33	2 7/8" YT SETTING RING	3.56
E27694	33	2 3/8" YT SETTING RING	4.00
E27812	33	2 1/16" YT SETTING RING	4.25
E28821	33	2" YT SETTING RING	4.25
E27811	33	1 1/2" (1.900") YT SETTING RING	4.31
E27810	33	1 1/4" (1.660") YT SETTING RING	4.38
E29001	33	1" (1.315") YT SETTING RING	4.75

RECOMMENDED SPARES INCLUDE 2 SETTING RINGS FOR EACH PIPE SIZE TO BE RUN

