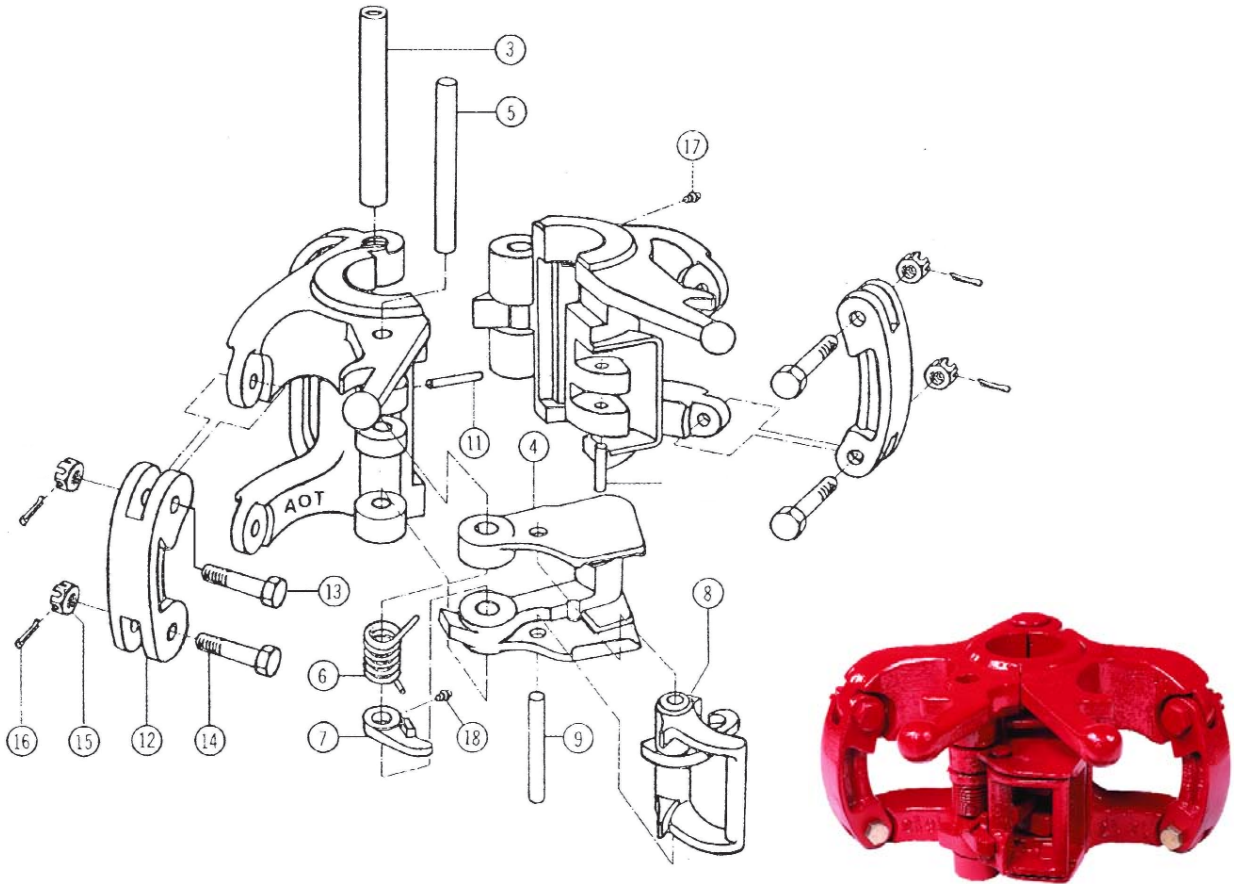


AOT MAA (175 TON) CENTER LATCH ELEVATOR

AOT #	RANGE	SIZE OF LINKS	WT.
E12526	2 3/8" - 3 1/2"	2 1/4" - 3 1/2"	88.00



REPLACEMENT PARTS FOR MAA ELEVATORS

AOT #	ITEM #	DESCRIPTION	**SPARES	# REQ.	WT.
E12704	1	HINGE PIN		1	5.00
E11763	2	LATCH		1	9.25
E11758	3	LATCH PIN		1	2.13
E11766	4	LATCH SPRING	2	1	.50
E11581	5	LATCH CAM	1	1	1.00
E11764	6	LATCH LOCK		1	3.00
E11759	7	LATCH LOCK PIN	2	1	.57
E12529	8	DOOR LUG PIN		1	.19
E8156	9	LATCH RETAINER PIN	2	1	.06
E9519	10	LINK BLOCK		2	5.50
E8151	11	UPPER LINK BLOCK BOLT, NUT , & COTTER	2	2	.50
E8145-2	12	LINK BLOCK BOLT	2	2	.80
E8150	N/P	LINK BLOCK NUT	2	2	.39
E9519-1	N/P	LINK BLOCK ASSY.		2	7.00
E8145-2	N/P	LINK BLOCK BOLT ASSY.		2	1.19
E939672-18	13	COTTER PIN	2	2	.10
E940308-1	14	GREASE FITTING		1	.10
E940308-8	15	GREASE FITTING		1	.10

RECOMMENDED SPARES INCLUDE 1 SET OF INSERTS FOR EACH PIPE SIZE TO BE RUN