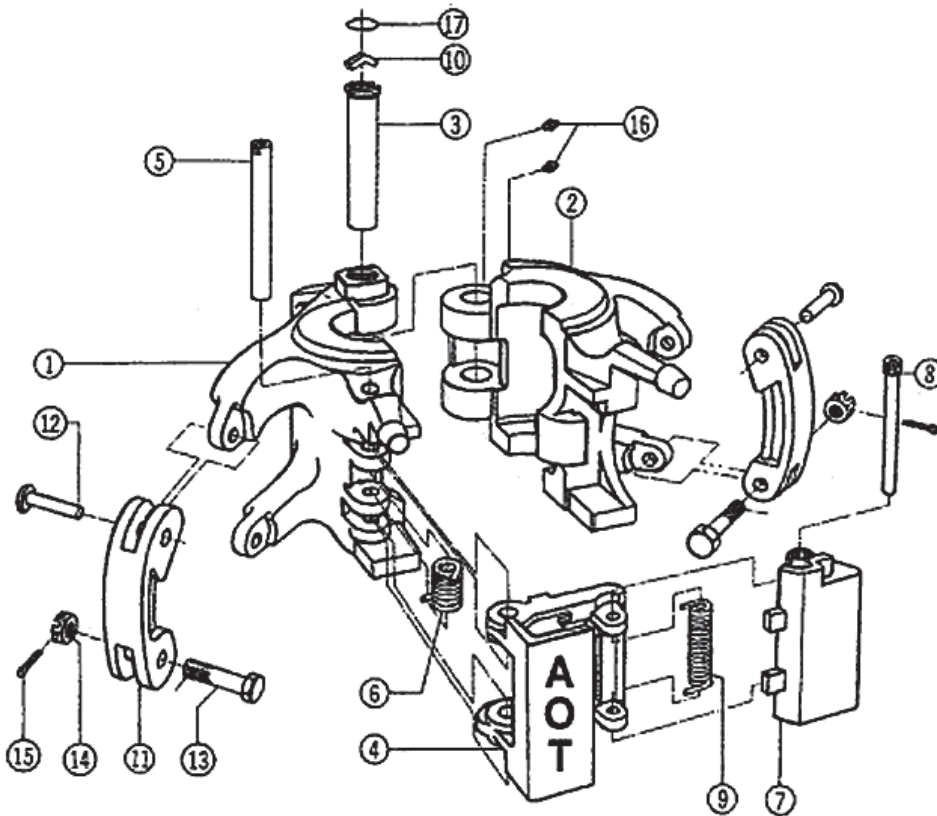


AOT TA-65 (65 TON) & TA-100 (100 TON) CENTER LATCH ELEVATORS

AOT #	RANGE	DESCRIPTION	SIZE OF LINKS	WT.
E32385	1.660 - 2 7/8"	TA-65 C. L. ELEVATOR	1 3/4" - 2 3/4"	65.00
E32386	3 1/2" - 4 1/2"	TA-65 C. L. ELEVATOR	1 3/4" - 2 3/4"	83.00
E32383	2 3/8" - 2 7/8"	TA-100 C. L. ELEVATOR	1 3/4" - 2 3/4"	119.00
E32384	3 1/2" - 4 1/2"	TA-100 C.L. ELEVATOR	1 3/4" - 2 3/4"	158.00



REPLACEMENT PARTS FOR TA-65 & TA-100 ELEVATORS

AOT #	ITEM #	DESCRIPTION	**SPARES	# REQ.	WT.
E32916	3	HINGE PIN (FRAME 32385)		1	5.00
E32915	3	HINGE PIN (FRAME 32386 & 32383)		1	6.00
E32919	3	HINGE PIN (FRAME 32384)		1	3.00
E32380	4	LATCH		1	5.50
E32424-3	5	LATCH PIN (FRAME 32385)	1	1	.75
E50713	5	LATCH PIN (FRAME 32386 & 32383)	1	1	1.00
E32424-1	5	LATCH PIN (FRAME 32384)	1	1	1.13
E32470	6	LATCH SPRING	2	1	.19
E32381-1	7	LATCH LOCK		1	2.75
E36208	8	LATCH LOCK PIN	2	1	.25
E32469	9	LATCH LOCK SPRING	2	1	.19
E32382	N/P	LATCH LOCK ASSY.		1	8.69
E32892	10	HINGE PIN RETAINER (FRAME 32385, 32386 & 32383)		1	.04
E32920	10	HINGE PIN RETAINER		1	.06
E32430	11	LINK BLOCK		2	2.19
E29359	12	USE P/N E939099-65		2	.25
E939099-65	13	UPPER & LOWER LINK BLOCK BOLT, NUT & COTTER	2	2	.40
E939484-7	14	LINK BLOCK NUT	2	2	.10
E939672-19	15	COTTER PIN	2	2	.06
E940308-1	16	GREASE FITTING		2	.10
E944048-15	17	EXPANSION PLUG (FRAME 32385)		1	.70
E944048-16	17	EXPANSION PLUG (FRAME 32386 & 32384)		1	.70
E944048-19	17	EXPANSION PLUG (FRAME 32383)		1	.70

** RECOMMENDED SPARES INCLUDE 1 SET OF INSERTS FOR EACH PIPE SIZE TO BE RUN