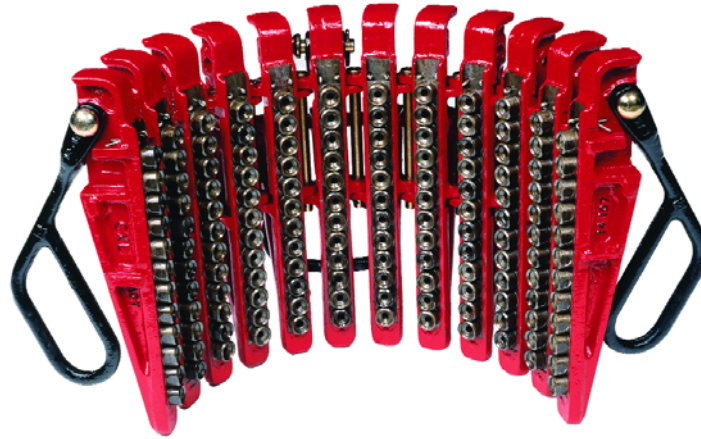


AOT TYPE "CMSXL" & "CMS-3" CASING SLIPS



The AOT "CMSXL" & "CMS-3" Casing Slips have a multi-segment design which gives a full wrap-around to help prevent damage to casing. By adding or subtracting segments & inserts the slip can accommodate 6 5/8" - 30" O.D. casing. The segments are made of alloy steel and are heat-treated for strength and wear resistance, then machined to strict quality controlled standards.

AOT "CMSXL" CASING SLIPS COMPLETE

AOT #	CASING O.D.	REF.#	WT. COMP.	TOTAL SEG.	HINGE PINS	INSERTS
14-111	6 5/8"	5315	196	12	11	14-628-144
14-112	7"	5301	184	12	11	14-619-144
14-113	7 5/8"	5303	166	12	11	14-630-144
14-114	8 5/8"	5305	181	13	12	14-630-156
14-115	9 5/8"	5307	192	14	13	14-630-168
14-116	10 3/4"	5309	209	15	14	14-630-180
14-117	11 3/4"	5311	260	17	16	14-627-204
14-118	13 3/8"	5313	247	18	17	14-630-216
14-119	16"	5325	308	21	20	14-631-252
14-120	18 5/8"	5333	367	25	24	14-626-300
14-121	20"	5329	383	26	25	14-631-312
14-122	24"	5331	443	30	29	14-631-360
14-123	26"	5346	486	33	32	14-631-396
14-124	30"	5342	546	37	36	14-631-444

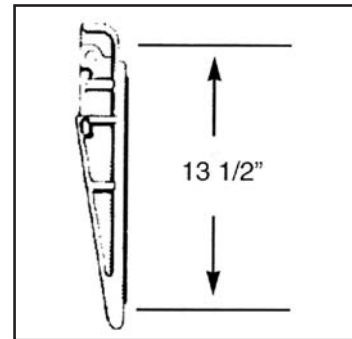
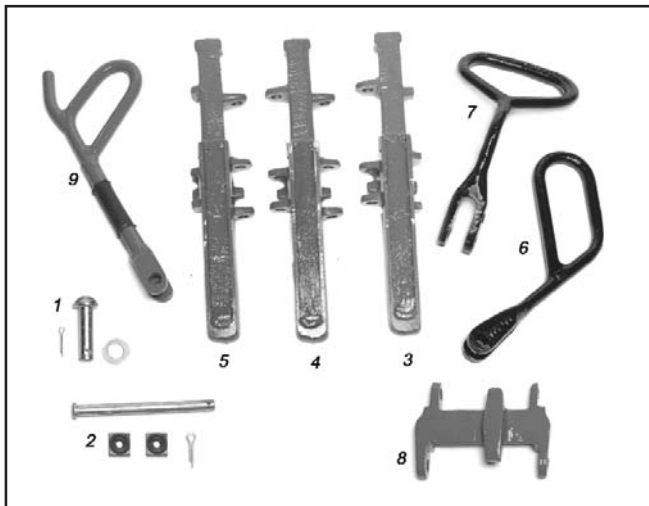
NOTE: ALL SLIPS 9 5/8" AND LARGER ARE FURNISHED WITH 4 HANDLES.
ALL PARTS ARE INTERCHANGEABLE WITH VARCO® TYPE "CMSXL" CASING SLIPS.

AOT "CMS-3" TAPER CASING SLIPS

AOT #	CASING O.D.	WT. COMP.	TOTAL SEG.	HINGE PINS	INSERTS
14-134	9 5/8"	178	14	13	14-513-168
14-135	10 3/4"	194	15	14	14-630-180
14-136	11 3/4"	243	17	16	14-627-204
14-137	13 3/8"	229	18	17	14-630-216
14-138	16"	287	21	20	14-631-252
14-139	18 5/8"	342	25	24	14-626-300
14-140	20"	357	26	25	14-631-312
14-141	24"	413	30	29	14-631-360
14-142	26"	453	33	32	14-631-396
14-143	30"	509	37	36	14-631-444

ALL PARTS ARE INTERCHANGEABLE W/"CMSXL" EXCEPT SEGMENTS

REPLACEMENT PARTS FOR "CMSXL", "CMS-3" & "CPS" SLIPS



AOT#	ITEM #	DESCRIPTION	REF.#	** SPARES	WT.
14-105	1	HANDLE PIN w/WASHER & COTTER	3769	3	.50
14-106	2	HINGE PIN w/COTTER	2525	2	.60
14-100	3	RIGHT HAND SEGMENT f/CMSXL SLIP	5320		12.00
14-148	3	RIGHT HAND SEGMENT f/CMS-3" SLIP	N/A		11.00
14-107	4	INTERMEDIATE SEGMENT f/CMSXL SLIP	5322		12.00
14-149	4	INTERMEDIATE SEGMENT f/CMS-3" SLIP N/A	N/A		11.00
14-101	5	LEFT HAND SEGMENT f/CMSXL SLIP	5321		12.00
14-150	5	LEFT HAND SEGMENT f/CMS-3" SLIP	N/A		11.00
14-104	6	FRONT HANDLE	3765	2	3.50
14-103	7	REAR HANDLE	3766	1	4.00
14-109	8	HINGE SPACER	11944		4.00

ALL PARTS ARE INTERCHANGEABLE WITH VARCO® TYPE "CMSXL" SLIPS
 ** RECOMMENDED SPARE PARTS FOR 1 YEAR OPERATION
 *FOR RECOMMENDED SPARES INCLUDE 1 SET OF INSERTS FOR EACH PIPE SIZE

AOT "CPS" CONDUCTOR PIPE SLIPS

AOT #	PIPE O.D.	WT. COMPLETE	TOTAL SEGMENTS	HINGE SPACERS	INSERTS
14-244	24"	276	13	12	14-631-156
14-266	26"	296	14	13	14-631-168
14-330	30"	319	16	15	14-631-192

NOTE: ALL PARTS ARE INTERCHANGEABLE WITH "CMSXL" SLIP