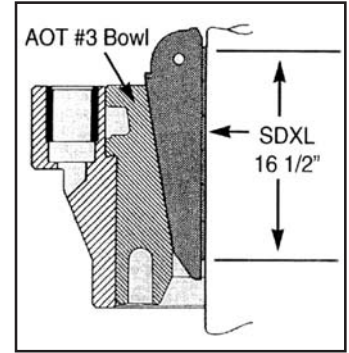
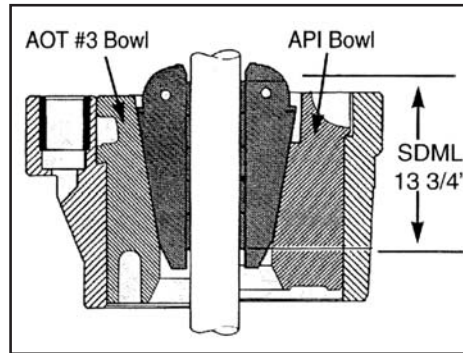


AOT "SD" TYPE ROTARY SLIPS



All Access "SDML" and "SDXL" Slips are made of alloy steel and heat-treated for strength and long life. These slips are then machined by strict quality control procedures for use in API standard bowls.

AOT "SD" TYPE ROTARY SLIPS LESS INSERTS

AOT#	SLIP BODY SIZE	TYPE	REF#	WT.
23-100	3 1/2" O.D.	SDML	15522-1	153.00
23-200	4 1/2" O.D.	SDML	15565-1	173.00
23-300	5" O.D.	SDML	15569-1	170.00
24-200	4 1/2" O.D.	SDXL	15562	182.00
24-100	5" O.D.	SDXL	15566	193.00
24-300	5 1/2" O.D.	SDXL	15570	190.00

AOT "SD" TYPE ROTARY SLIPS WITH INSERTS

AOT#	SLIP SIZE/PIPE SIZE	TYPE	REF#	WT.
23-135	3 1/2" x 3 1/2"	SDML	15522	180.00
23-127	3 1/2" x 2 7/8"	SDML	15523	188.00
23-123	3 1/2" x 2 3/8"	SDML	15524	193.00
23-245	4 1/2" x 4 1/2"	SDML	15565	188.00
23-240	4 1/2" x 4"	SDML	15564	199.00
23-235	4 1/2" x 3 1/2"	SDML	15563	207.00
23-500	5" x 5"	SDML	15569	185.00
23-545	5" x 4 1/2"	SDML	15568	196.00
23-540	5" x 4"	SDML	15567	204.00
23-455	5 1/2" x 5 1/2"	SDML	15573	181.00
23-450	5 1/2" x 5"	SDML	15572	192.00
23-445	5 1/2" x 4 1/2"	SDML	15571	200.00
24-245	4 1/2" x 4 1/2"	SDXL	15513	205.00
24-240	4 1/2" x 4"	SDXL	15514	219.00
24-235	4 1/2" x 3 1/2"	SDXL	15515	229.00
24-150	5" x 5"	SDXL	15516	213.00
24-145	5" x 4 1/2"	SDXL	15517	227.00
24-140	5" x 4"	SDXL	15518	237.00
24-355	5 1/2" x 5 1/2"	SDXL	15519	210.00
24-350	5 1/2" x 5"	SDXL	15520	224.00
24-345	5 1/2" x 4 1/2"	SDXL	15521	234.00

REPLACEMENT PARTS FOR "SD" TYPE ROTARY SLIPS



AOT#	ITEM#	DESCRIPTION	SIZE	#REQ.	REF.#	WT.	SPARES*
23-150	1	LEFT HANDLE	ALL	1	3768	3.50	1
14-103	2	REAR HANDLE	ALL	1	3766	4.00	1
23-151	3	RIGHT HANDLE	ALL	1	3767	3.50	1
14-105	4	HANDLE PIN w/WASHER & COTTER	ALL	3	3769	.50	3
23-104	5	INSERT RETAINER RING	3 1/2"	3	3738	1.00	3
23-105	5	INSERT RETAINER RING	4 1/2"	3	3739	1.00	3
23-106	5	INSERT RETAINER RING	5"	3	3741	1.00	3
23-107	5	INSERT RETAINER RING	5 1/2"	3	3740	1.00	3
23-108	5	INSERT RETAINER RING	7"	3	3742	1.00	3
23-109	6	INSERT RETAINER SCREW & NUT	ALL	6	3737	.02	12
23-110	7	INSERT	SEE CHART				
23-111	8	HINGE PINS w/COTTER	ALL	2	2192	1.20	2
23-112	9	SAFETY FLEX HANDLE	ALL	3	N/A	4.00	

*RECOMMENDED SPARE PARTS FOR 1 YEAR SERVICE

INSERTS FOR "SDML" & "SDXL" SLIPS

AOT#	SIZE	TYPE	REF#	WT//SET	SDML/SDXL
23-155	3 1/2" x 3 1/2"	BASIC	2162	10.00	
23-156	3 1/2" x 2 7/8"	REDUCER	2161	15.00	
23-157	3 1/2" x 2 3/8"	REDUCER	2160	20.00	
23-158	4 1/2" x 4 1/2"	BASIC	2165	15.00	/ 18.00
23-159	4 1/2" x 4"	REDUCER	2164	23.00	/ 27.00
23-160	4 1/2" x 3 1/2"	REDUCER	2163	30.00	/ 36.00
23-161	5" x 5"	BASIC	2167	15.00	/ 18.00
23-162	5" x 4 1/2"	REDUCER	2166	23.00	/ 27.0
23-163	5" x 4"	REDUCER	2168	30.00	/ 36.00
23-164	5 1/2" x 5 1/2"	BASIC	2170	15.00	/ 18.00
23-165	5 1/2" x 5"	REDUCER	2169	23.00	/ 27.00
23-163	5 1/2" x 4 1/2"	REDUCER	2168	30.00	/ 36.00
23-166	7" x 7"	BASIC	2173	20.00	/ 26.00
23-167	7" x 6 5/8"	REDUCER	2172	25.00	/ 41.00

ALL "SDXL" SLIPS EXCEPT 7" TAKE 54 INSERTS
 3 1/2" "SDML" SLIPS TAKE 30 INSERTS
 ALL OTHER "SDML" SLIPS EXCEPT 7" TAKE 45 INSERTS
 7" "SDXL" SLIPS TAKE 72 INSERTS
 7" "SDML" SLIPS TAKE 60 INSERTS

* RECOMMENDED SPARES INCLUDE 3 SETS INSERTS FOR EACH PIPE SIZE TO BE RUN