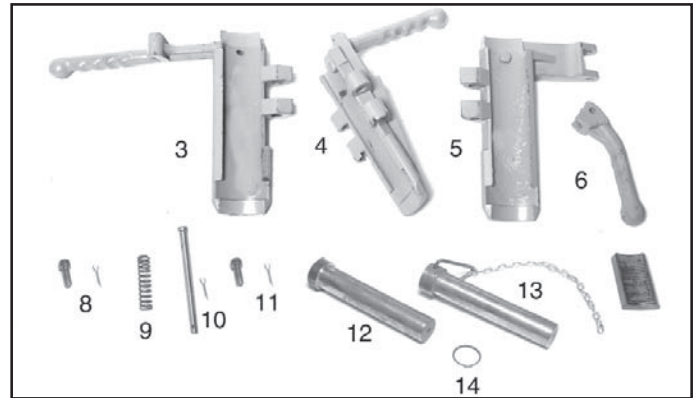


AOT 3-1/2" "TS-100" MANUAL TUBING SPIDER

The 3-1/2" TS-100 tubing spider and slip assembly can handle tubing sizes 3/4" thru 3-1/2" O.D. by changing 9 removable inserts. The spider and slip are made of alloy steel and heat treated for strength. All come with full certification and data books are available upon request.



| AOT# | ITEM # | DESCRIPTION | REF# | *SPARES | # REQ. | WT. |
|--------|--------|-------------------------------------|------------|---------|--------|-------|
| 17-300 | | 3-1/2" SPIDER COMPLETE LESS INSERTS | N/A | | 1 | 238.0 |
| 17-301 | | SLIP ASSY. LESS INSERTS | 7502-104 | | 1 | 51.0 |
| 17-302 | | 3-1/2" TS-100 BOWL ONLY | 7502-100 | | 1 | 187.0 |
| 17-101 | 3 | RIGHT HAND SEGMENT | 7502-C-217 | | 1 | 13.0 |
| 17-102 | 4 | CENTER SEGMENT | 7502-B-217 | | 1 | 13.0 |
| 17-103 | 5 | LEFT HAND SEGMENT | 7502-A-217 | | 1 | 13.0 |
| 17-104 | 6 | LATCH HANDLE | 7502-A-214 | | 1 | 3.00 |
| 17-105 | | LATCH | 7502-A-207 | | 1 | .50 |
| 17-108 | 8 | LATCH PIN W/COTTER | 7502-B-207 | 2 | 1 | .12 |
| 17-109 | 9 | LATCH SPRING | 7502-C-207 | 2 | 1 | .12 |
| 17-110 | 10 | HINGE PIN F/SLIP W/COTTER | 7502-A-216 | | 2 | .25 |
| 17-111 | 11 | LINE KEEPER W/COTTER | 7502-B-216 | 6 | 3 | .12 |
| 17-112 | 12 | HINGE PIN F/BOWL | 7502-A-202 | | 1 | 4.50 |
| 17-113 | 13 | LOCK PIN W/BAIL & CHAIN | 7502-D-203 | | 1 | 5.00 |
| 17-114 | 14 | SNAP RING | 7502-103-X | 1 | 1 | .08 |

* RECOMMENDED SPARE PARTS F/1 YEAR OPERATION

INSERTS FOR 3-1/2" "TS-100" SPIDER

| AOT# | DESCRIPTION | REF# | # REQ. | WT. |
|--------|------------------|-------------|--------|------|
| 21-101 | 3-1/2" X 3-1/2" | 7502-A-5069 | 9 | 1.25 |
| 21-110 | 3-1/2" X 3-3/8" | N/A | 9 | 1.25 |
| 21-102 | 3-1/2" X 3-1/8" | N/A | 9 | 1.30 |
| 21-103 | 3-1/2" X 2-7/8" | 7502-A-5070 | 9 | 1.50 |
| 21-104 | 3-1/2" X 2-3/8" | 7502-A-5071 | 9 | 1.75 |
| 21-105 | 3-1/2" X 2-1/16" | 7502-A-5072 | 9 | 2.00 |
| 21-111 | 3-1/2" X 2" | N/A | 9 | 2.10 |
| 21-106 | 3-1/2" X 1-1/2" | 7502-A-5074 | 9 | 2.25 |
| 21-107 | 3-1/2" X 1-1/4" | 7502-A-5075 | 9 | 2.50 |
| 21-108 | 3-1/2" X 1" | 7502-A-5076 | 9 | 2.75 |
| 21-109 | 3-1/2" X 3/4" | 7502-A-5077 | 9 | 2.87 |